

Jinbo Marine

Marine & Offshore Equipment Datasheet

PRODUCT DATASHEET

MARINE KITCHEN GALLEY

MP65-2 Marine Steamed Bun Machine

MP65-2 Marine Steamed Bun Machine 1. Beautiful appearance and reliable quality 2. The raw materials for making steamed buns are fermented noodles, the size of the steamed buns is uniform, the quality of the buns i...

ISO9001 Supplier

Class Certificate

Export Supply



Key Highlights

Category	Marine Kitchen Galley
Standard	EN
Material	SS
Weight / Size	The raw materials for making steamed buns are fermented noodles, the siz...
Certificate	ABS, LR, BV, DNVGL, NK, KR, IRS, RMRS, CCS

We can supply according to your requirement, drawings, class certificate needs, and delivery schedule.

Technical Specifications

Category	Marine Kitchen Galley	Model / SKU	MP65-2-Marine-Steamed-Bun-Machine
Standard	EN	Material	SS
Weight / Size	The raw materials for making steamed buns are fermented noodles, the size of the steamed buns is uniform, the quality of the buns is good, and the surface is smooth 3.	Surface	The raw materials for making steamed buns are fermented noodles, the size of the steamed buns is uniform, the quality of the buns is good, and the surface is smooth 3.
Certificate	ABS, LR, BV, DNVGL, NK, KR, IRS, RMRS, CCS	Warranty	12 Months unless specified otherwise
Origin	China		

CONTENTS

- MP65-2 Marine Steamed Bun Machine
- MP65-2 Marine Steamed Bun Machine Parameters
- MP65-2 Marine Steamed Bun Machine Drawing

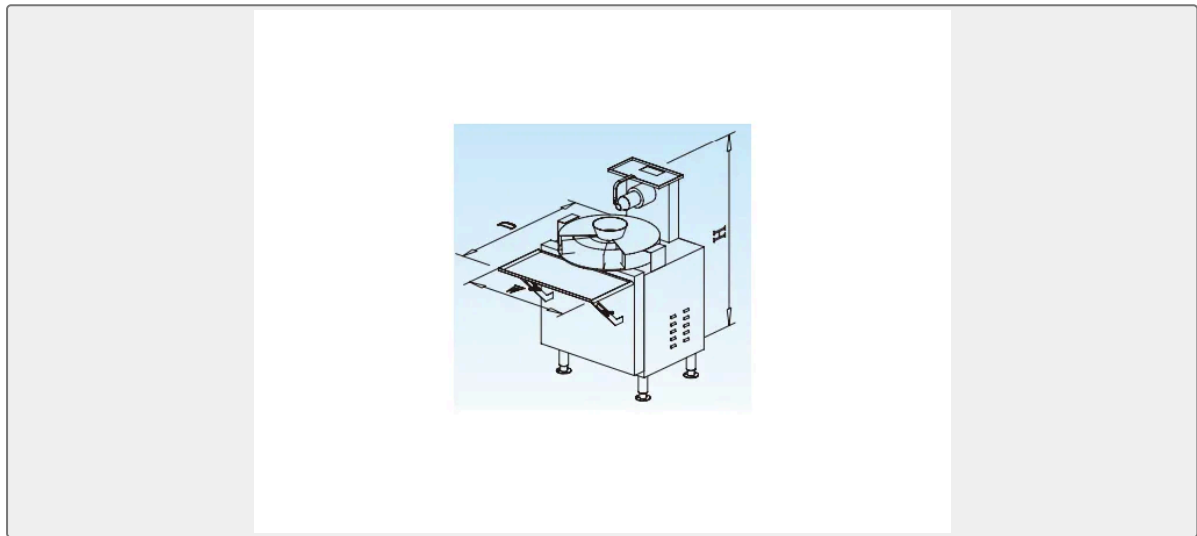


0.094643s

MP65-2 Marine Steamed Bun Machine

1. Beautiful appearance and reliable quality
2. The raw materials for making steamed buns are fermented noodles, the size of the steamed buns is uniform, the quality of the buns is good, and the surface is smooth
3. The operation is simple, the machine is equipped with a fine-tuning system, which is convenient to use and saves time and effort for adjustment
4. Exquisite structure, small footprint, easy disassembly and assembly, and convenient cleaning
5. The steamed bun machine is well-formed and accurately measured. It is suitable for the formation of wheat steamed bun flour with water, additives and good dough. The dough is processed into cylindrical spherical steamed buns through extrusion, conveying, shearing and spheronization.
6. Equipped with stainless steel adjustable feet for easy installation on board

MP65-2 Marine Steamed Bun Machine Drawing



MP65-2 Marine Steamed Bun Machine Parameters

Model	MP5012	MP65-2
Production	2000pcs/h	4000pcs/h
Voltage	220v-1PH-50Hz/60Hz	
Power(kw)	1.5	3
Size(mm)	660x936x1130	1300x500x1010
Weight(kg)	200	260