

Jinbo Marine

Marine & Offshore Equipment Datasheet

PRODUCT DATASHEET

OTHER MARINE VALVES & ACCESSORIES

Manual Deck Surface Valve

Manual Deck Surface Valve is called manual flat valve, it is installed on the deck for draining the ballast water in the ballast bank or water on the deck. Technical Specification: Working Temperature: 0~60°C ...

ISO9001 Supplier

Class Certificate

Export Supply



Key Highlights

| | |
|----------------------|---------------------------------------|
| Category | Other Marine Valves & Accessories |
| Material | Brzonz, Stainless Steel |
| Weight / Size | Handwheel-Nodular Iron Main Size(mm): |
| Certificate | Mill Certificate |

We can supply according to your requirement, drawings, class certificate needs, and delivery schedule.

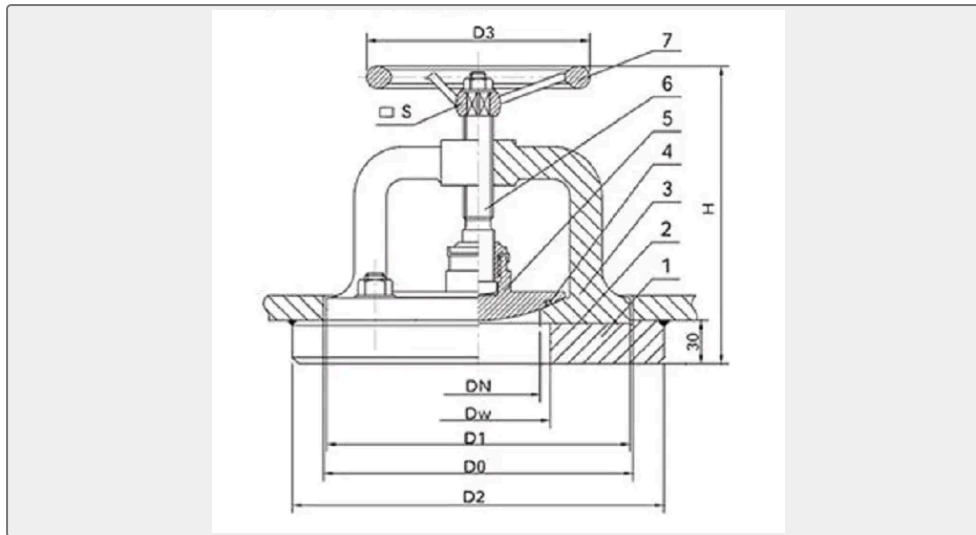
Technical Specifications

| | | | |
|-----------------|---|----------------------|---------------------------------------|
| Category | Other Marine Valves & Accessories | Model / SKU | Manual-Deck-Surface-Valve |
| Material | Brzonz, Stainless Steel | Weight / Size | Handwheel-Nodular Iron Main Size(mm): |
| Surface | Manual Deck Surface Valve is called manual flat valve, it is installed on the deck for draining the ballast water in the ballast bank or water on the deck. | Certificate | Mill Certificate |
| Warranty | 12 Months unless specified otherwise | Origin | China |

CONTENTS

- China Manual Deck Surface Valve:
- Main Parts & Material:
- Technical Specification:
- Main Size(mm):

China Manual Deck Surface Valve:



Manual Deck Surface Valve is called manual flat valve, it is installed on the deck for draining the ballast water in the ballast bank or water on the deck.

Technical Specification:

Working Temperature: 0~60°C

Working Medium: Sea water

Working Pressure: 0.4Mpa

Connection Type: Welded on the deck

Main Parts & Material:

1. Bedplate--Carbon Steel Q235A
2. Sealing ring--NBR
3. Body--Bronze
4. Sealing ring-Fluorine Rubber
5. Valve Disc--Bronze / Stainless Steel
6. Valve Rod--Stainless Steel
7. Handwheel--Nodular Iron

Main Size(mm):

| DN | D0 | Dw | D1 | D2 | D3 | S | H |
|-----|-----|-----|-----|-----|-----|----|-----|
| 100 | 250 | 114 | 245 | 300 | 180 | 14 | 260 |
| 150 | 285 | 168 | 280 | 320 | 250 | 22 | 330 |
| 200 | 325 | 219 | 320 | 400 | 280 | 24 | 480 |