

QUICK RELEASE HARBOUR TYPE TOWING HOOK

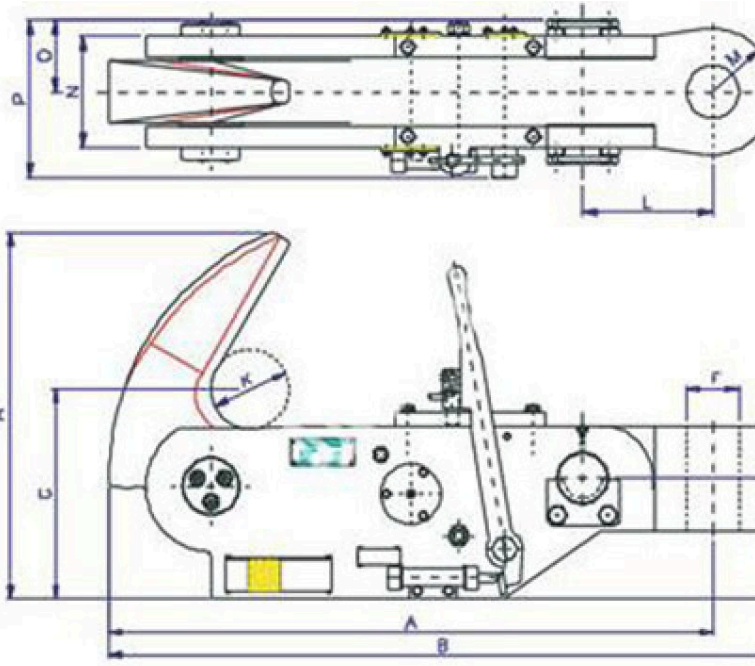
Manual Release Harbour Type Towing Hook

ISO9001 Supplier

Class Certificate

Export Supply

Brief description: Popular model:15 ton, 30 ton, 45 ton, 56 ton,100 ton etc. Advantages: Safe handling and releasing with only a minimum manual effort less than 20kg at full SWL. The head...



Key Highlights

Category	Quick Release Harbour Type Towing Hook
Standard	EN
Material	Including Q235-A material,35# steel,45 # steel,45Cr, EH36, 65Mn, Q345.Th...
Weight / Size	Safe handling and releasing with only a minimum manual effort less than ...
Certificate	CCS,BV ABS ,DNV,GL,LR certificate etc can be provide.

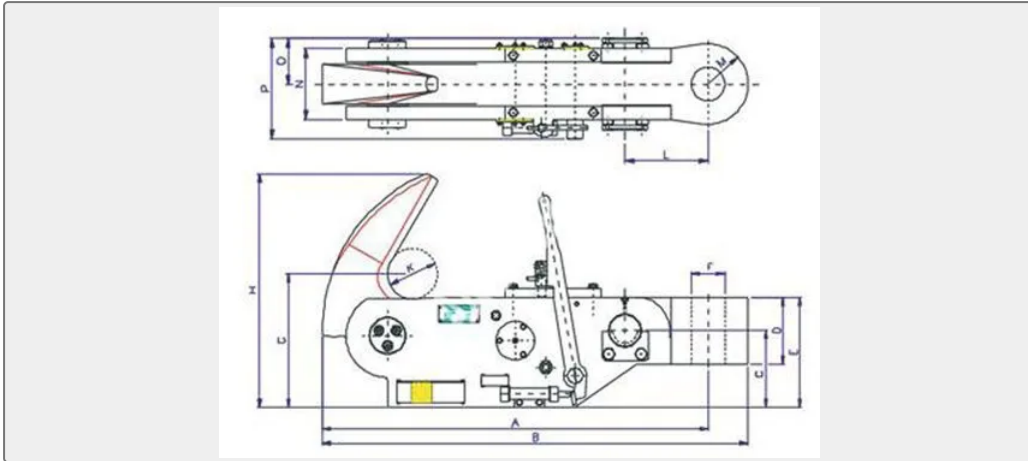
We can supply according to your requirement, drawings, class certificate needs, and delivery schedule.

Technical Specifications

Category	Quick Release Harbour Type Towing Hook	Model / SKU	Manual-Release-Harbour-Type-Towing-Hook
Standard	EN	Material	Including Q235-A material,35# steel,45 # steel,45Cr, EH36, 65Mn, Q345.The goods can be designed according to your requirements.
Weight / Size	Safe handling and releasing with only a minimum manual effort less than 20kg at full SWL.	Certificate	CCS,BV ABS ,DNV,GL,LR certificate etc can be provide.
Warranty	12 Months unless specified otherwise	Origin	China



CONTENTS	■ Brief description:	■ Advantages:
	■ Feature:	■ Specification:



Brief description:

Popular model:15 ton, 30 ton, 45 ton, 56 ton,100 ton etc.

Advantages:

Safe handling and releasing with only a minimum manual effort less than 20kg at full SWL.

The head of hook is designed for balance so that restoration of the hook and release part could be completed with a single action.

Spark-proof and insulating design.

Feature:

Long lifetime and minimum maintenance.

Towing flexible.Easy to handle.

Work principle:Leverage.

Ensure the hook and hook knife tight junctions before use it, and make the crankshaft in the working state.

Specification:

Product No.	Safe working load(Kn)	Test load(Kn)	Release load(Kn)	Weight(kg)	A	B	C	D	E	F	G	H	K	L	M	N	N	P
HHB-001	150	300	150	52	521	571	100	100	150	40	174	316	65	110	50	100	100	150
HHB-002	300	600	300	143	788	868	160	130	225	60	268	461	96	180	80	125	125	207



HHB-003	450	900	450	289	10 23	11 23	20 0	16 0	26 0	80	35 0	61 6	13 0	2 1 0	10 0	14 8	14 8	22 4
HHB-004	562	1125	562	352	10 73	11 83	20 0	18 0	29 0	90	35 0	61 6	13 0	2 5 0	11 0	17 0	17 0	24 5
HHB-005	1000	1500	1000	526	11 59	12 79	23 0	20 0	33 0	10 0	40 0	70 0	15 0	2 5 0	12 0	21 2	21 2	33 3