

Jinbo Marine

Marine & Offshore Equipment Datasheet

PRODUCT DATASHEET

TWISTLOCK

Manual Twistlock

1.All items are approved by major classification societies 2.customized design is available.
Material: Forged steel Finish: hot dip galvanized weight:4.5kg M.B.L tension:500KN M.B.L shear...

ISO9001 Supplier

Class Certificate

Export Supply



Key Highlights

| | |
|---------------|---|
| Category | Twistlock |
| Standard | ISO |
| Material | Forged steel |
| Weight / Size | hot dip galvanized weight:4.5kg M.B.L tension:500KN M.B.L shear:420KN M.... |
| Certificate | GL certificate |

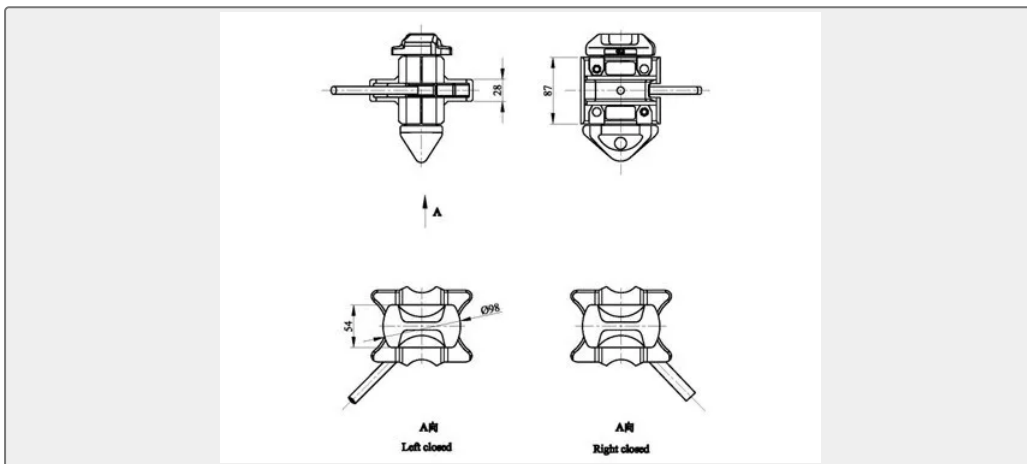
We can supply according to your requirement, drawings, class certificate needs, and delivery schedule.

Technical Specifications

| | | | |
|---------------|---|-------------|--------------------------------------|
| Category | Twistlock | Model / SKU | Manual-Twistlock |
| Standard | ISO | Material | Forged steel |
| Weight / Size | hot dip galvanized weight:4.5kg M.B.L tension:500KN M.B.L shear:420KN M.B.L compression:2000KN Certification: | Surface | hot dip galvanized |
| Certificate | GL certificate | Warranty | 12 Months unless specified otherwise |
| Origin | China | | |



China Manual Twistlock:



- 1.All items are approved by major classification societies
- 2.customized design is available.

Material: Forged steel

Finish: hot dip galvanized

weight:4.5kg

M.B.L tension:500KN

M.B.L shear:420KN

M.B.L compression:2000KN

Certification: All items are approved by major classification societies

Remarks: customized design is available

Our scope of supply(cotainer fastners) covers the follows:

D-ring, Lashing plate, Raised ISO foundations, Dovetail foundations, Flush sockets, Sliding foundations, **Guide cone**, Guide block, **Turnbuckles**, Lashing rods, **Extension rods**, Manual twistlocks, Semi-automatic twistlocks, Midlocks, Sliding twistlocks, Bridge fittings, Single stackers, Double stackers, Hanging stackers, ETC.