

Jinbo Marine

Marine & Offshore Equipment Datasheet

PRODUCT DATASHEET

CB MARINE AIR PIPE HEAD

Marine Air Pipe Head for Water Tank CB/T3594-94 Type E/ES

ISO9001 Supplier

Class Certificate

Export Supply

Marine Air Pipe Head or can be called as marine air vent head, air pipe joint. It is used on the air pipe system of oil or water tank in the vessels and the offshore drilling platform. There are the types A/AS,B/BS,C/CS,...



Key Highlights

Category	CB Marine Air Pipe Head
Standard	DIN
Material	Nodular Cast Iron, Cast Iron
Weight / Size	CB/T3594-94, GB1858-80, CBM1105-81, CBM1106-81 Flange Size as per GB569 ...
Certificate	CCS, BV, ABS, GL, LR, DNV, NK,RINA, KR,IRS

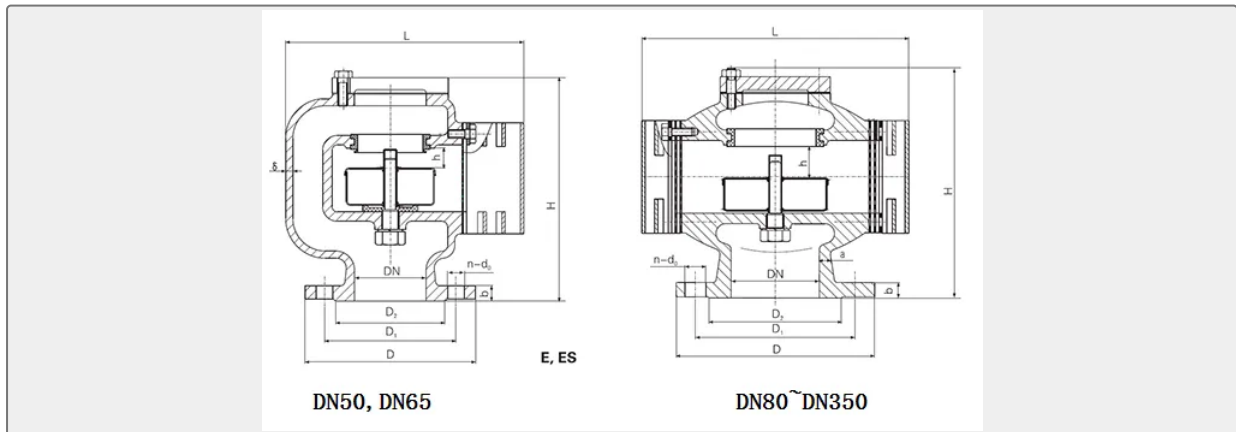
We can supply according to your requirement, drawings, class certificate needs, and delivery schedule.



Technical Specifications			
Category	CB Marine Air Pipe Head	Model / SKU	Marine-Air-Pipe-Head-for-Water-Tank-CB-T3594-94-Type-E-ES
Standard	DIN	Material	Nodular Cast Iron, Cast Iron
Weight / Size	CB/T3594-94, GB1858-80, CBM1105-81, CBM1106-81 Flange Size as per GB569 or GB2501 Type Name Size Application A/AS Mushroom Air Pipe Head 50--250 on the air pipe top of oil & water tank B/BS Gooseneck Air Pipe Head C/CS Sounding & Ventilation Air Pipe Head 50--100 D/DS Float Disc Type Air Pipe Head for Oil Tank 50-450 on the air pipe top of oil tank E/ES Float Disc Type Air Pipe Head for Water Tank on the air pipe top of water tank FS Float Ball Type Air Pipe Head for oil&water Tank on the air pipe top of oil & water tank Main Material:	Certificate	CCS, BV, ABS, GL, LR, DNV, NK,RINA, KR,IRS
Warranty	12 Months unless specified otherwise	Origin	China

CONTENTS	<ul style="list-style-type: none"> ■ China Marine Air Pipe Head for Water Tank CB/T3594-94 Type E/ES: ■ Main Size List for E/ES Type(mm): 	<ul style="list-style-type: none"> ■ Main Material:
-----------------	---	--

China Marine Air Pipe Head for Water Tank CB/T3594-94 Type E/ES:



Marine Air Pipe Head or can be called as marine air vent head, air pipe joint. It is used on the air pipe system of oil or water tank in the vessels and the offshore drilling platform. There are the types A/AS,B/BS,C/CS,D/DS,E/ES,FS.

Standard: CB/T3594-94, GB1858-80, CBM1105-81, CBM1106-81



Flange Size as per GB569 or GB2501

Type	Name	Size	Application
A/AS	Mushroom Air Pipe Head	50--250	on the air pipe top of oil & water tank
B/BS	Gooseneck Air Pipe Head		
C/CS	Sounding & Ventilation Air Pipe Head	50--100	
D/DS	Float Disc Type Air Pipe Head for Oil Tank	50-450	on the air pipe top of oil tank
E/ES	Float Disc Type Air Pipe Head for Water Tank		on the air pipe top of water tank
FS	Float Ball Type Air Pipe Head for oil&water Tank		on the air pipe top of oil & water tank

Main Material:

1-Cover: Nodular Cast Iron, Cast Iron

2-Body: Nodular Cast Iron, Cast Iron

3-Screen Cover: Carbon Steel or Stainless Steel

4-Float Disc: Stainless Steel

Main Size List for E/ES Type(mm):

nominal diameter	structure dimension		flange connection dimension						Thickness δ	Lift Range h	weight(kg)	
	L	H	D	D1	D2	b	n	d0			Oil tank	Water tank
50	160	170	135	103	84	15	6	15	6.5	17	6.24	4.49
50	160	170	140	110	90	16	4	14	6.5	17	6.32	5.02
65	190	200	155	123	104	14	6	15	6.5	22	10.37	9.16
65	190	200	160	130	110	16	4	14	6.5	22	10.66	9.23
80	225	205	170	138	118	14	8	15	7.5	27	22.60	19.50
80	225	205	190	150	128	18	4	18	7.5	27	23.01	19.97
100	245	235	190	158	138	14	8	15	8	27	27.40	24.40
100	245	235	210	170	148	18	4	18	8	27	29.34	26.30
125	290	265	215	183	164	14	10	15	8	44	33.70	29.20
125	290	265	240	200	178	20	8	18	8	44	35.46	30.96
150	367	300	240	208	190	14	12	15	9	53	39.02	34.92
150	367	300	265	225	202	20	8	18	9	53	40.94	36.84
200	463	367	295	264	247	15	12	15	9	60	63.70	59.62
200	463	367	320	280	258	22	8	18	9	60	66.79	62.71
250	550	460	365	327	306	16	14	17	9	78	90.10	83.20

250	550	460	375	335	312	24	12	18	9	78	93.32	86.42
300	650	580	430	386	360	19	14	21	10	85	110.40	106.20
300	650	580	440	395	365	24	12	22	10	85	112.67	108.47
350	770	680	480	436	410	20	19	21	10	95	121.50	112.40
350	770	680	490	445	415	26	12	22	10	95	128.02	118.92