

CB MARINE PRESSURE REDUCING VALVE

Marine Air Pressure Reducing Valve 25/32

ISO9001 Supplier

Class Certificate

Export Supply

Marine Air Pressure Reducing Valve is used for marine air pipe system. It can keep outlet pressure stable. The connection way is threaded. Technical Data: Pressure Class In...



Key Highlights

Category	CB Marine Pressure Reducing Valve
Standard	EN
Material	Bronze
Weight / Size	Body-Bronze Bonnet-Cast Steel (ZG230-450) Spring-60Si2MnA Film-Rubber Ma...
Certificate	CCS, BV, ABS, NK, DNV/GL, LR

We can supply according to your requirement, drawings, class certificate needs, and delivery schedule.

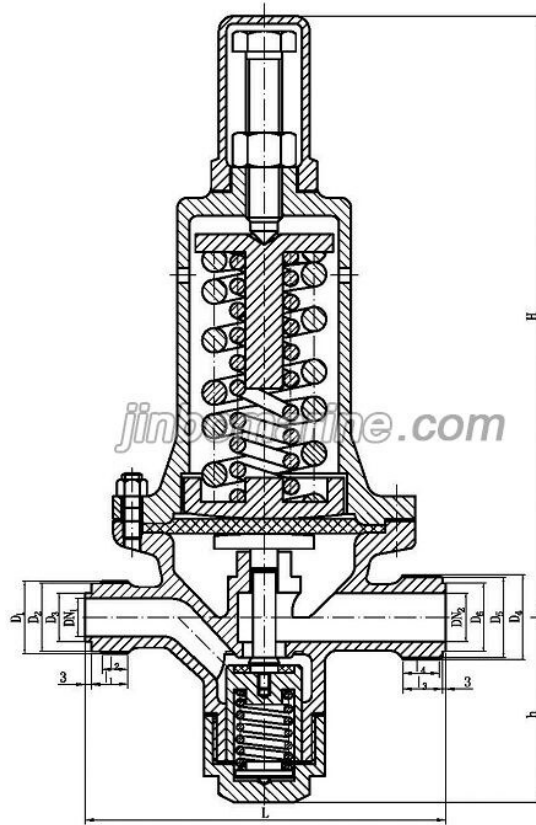
Technical Specifications

Category	CB Marine Pressure Reducing Valve	Model / SKU	Marine-Air-Pressure-Reducing-Valve-25-32
Standard	EN	Material	Bronze
Weight / Size	Body-Bronze Bonnet-Cast Steel (ZG230-450) Spring-60Si2MnA Film-Rubber Main Size List(mm):	Certificate	CCS, BV, ABS, NK, DNV/GL, LR
Warranty	12 Months unless specified otherwise	Origin	China

CONTENTS

- China Marine Air Pressure Reducing Valve 25/32:
- Main Parts & Material:
- Technical Data:
- Main Size List(mm):

China Marine Air Pressure Reducing Valve 25/32:



Marine Air Pressure Reducing Valve is used for marine air pipe system. It can keep outlet pressure stable. The connection way is threaded.

Technical Data:

Pressure Class	Inlet Pressure P1 (Mpa)	Outlet Pressure P2(Mpa)
A	3.0	1.0~0.7
B	3.0	<0.7~0.2
C	1.0	0.4~0.05

Main Parts & Material:

Body-Bronze

Bonnet-Cast Steel (ZG230-450)

Spring-60Si2MnA

Film-Rubber

Main Size List(mm):

Nominal Diameter		Structure Dimension			Male Thread Dimension								
					Inlet				Outlet				
DN1	DN2	L	H	h	D1	D2	D3	L1	L2	D3	D4	0.078774s	

25	32	229	395	121	M48×2	45	32	26	6	M56×2	53	38	28	6
----	----	-----	-----	-----	-------	----	----	----	---	-------	----	----	----	---

