

Jinbo Marine

Marine & Offshore Equipment Datasheet

PRODUCT DATASHEET

CB MARINE PRESSURE REDUCING VALVE

Marine Air Pressure Reducing Valve CB/T3656-94

ISO9001 Supplier

Class Certificate

Export Supply

Marine Air Pressure Reducing Valves are used for marine air pipe system. It can keep outlet pressure stable. The connection way is thread. Technical Data: Pressure Class I...



Key Highlights

Category	CB Marine Pressure Reducing Valve
Standard	CB
Material	Bronze
Weight / Size	Body-ZHSi80-3 Bonnet-Cast Steel (ZG230-450) Spring-60Si2MnA Film-Rubber ...
Certificate	CCS, BV, ABS, GL, LR, DNV, NK, RINA, KR, IRS

We can supply according to your requirement, drawings, class certificate needs, and delivery schedule.

Technical Specifications

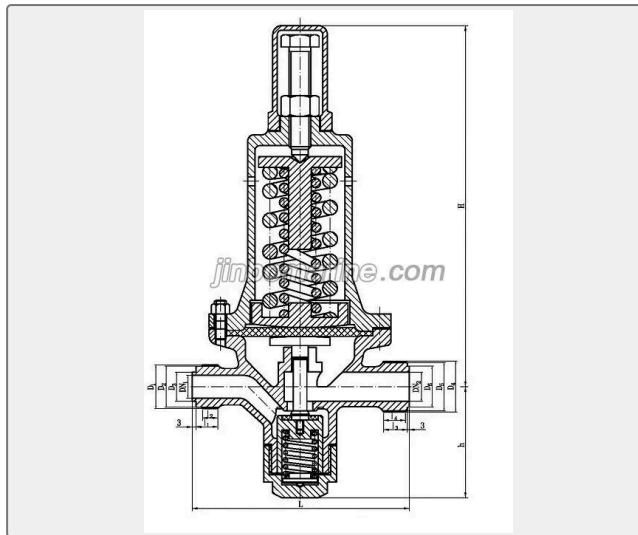
Category	CB Marine Pressure Reducing Valve	Model / SKU	Marine-Air-Pressure-Reducing-Valve-CB-T3656-94
Standard	CB	Material	Bronze
Weight / Size	Body-ZHSi80-3 Bonnet-Cast Steel (ZG230-450) Spring-60Si2MnA Film-Rubber Main Size List(mm):	Certificate	CCS, BV, ABS, GL, LR, DNV, NK, RINA, KR, IRS
Warranty	12 Months unless specified otherwise	Origin	China

CONTENTS

- China Marine Air Pressure Reducing Valve CB/T3656-94:
- Main Parts & Material:
- Technical Data:
- Main Size List(mm):



China Marine Air Pressure Reducing Valve CB/T3656-94:



Marine Air Pressure Reducing Valves are used for marine air pipe systems. It can keep outlet pressure stable. The connection way is thread.

Technical Data:

Pressure Class	Inlet Pressure P1 (Mpa)	Outlet Pressure P2(Mpa)
A	3.0	1.0~0.7
B	3.0	<0.7~0.2
C	1.0	0.4~0.05

Main Parts & Material:

Body-ZHSi80-3

Bonnet-Cast Steel (ZG230-450)

Spring-60Si2MnA

Film-Rubber

Main Size List(mm):

Nominal Diameter		Structure Dimension			Male Thread Dimension										weight (kg)
					Inlet					Outlet					
DN1	DN2	L	H	h	D1	D2	D3	L1	L2	D3	D4	D5	L3	L4	
15	20	210	263	99	M36×2	33	22	22	5	M39×2	36	25	23	5	6.57
20	25	229	395	121	M39×2	36	25	23	5	M48×2	45	32	26	6	22.3
25	32	229	395	121	M48×2	45	32	26	6	M56×2	53	38	28	6	27.3