

# Jinbo Marine

Marine &amp; Offshore Equipment Datasheet

PRODUCT DATASHEET

## GB MARINE FIRE HYDRANT

# Marine Angle Fire Hydrant GB/T2032-93

Marine Fire Hydrant also is called as marine hose valve. There straight type and angle type. Design Standard: GB/T2032-93, CBM1107-82 Test Standard: GB600 Flange size as per GB569, GB2501. Also be as pe...

ISO9001 Supplier

Class Certificate

Export Supply



### Key Highlights

Category	GB Marine Fire Hydrant
Standard	JIS
Material	Bronze or Brass
Weight / Size	GB600 Flange size as per GB569, GB2501.
Certificate	CCS, BV, ABS, GL, LR, DNV, NK,RINA, KR,IRS

We can supply according to your requirement, drawings, class certificate needs, and delivery schedule.

### Technical Specifications

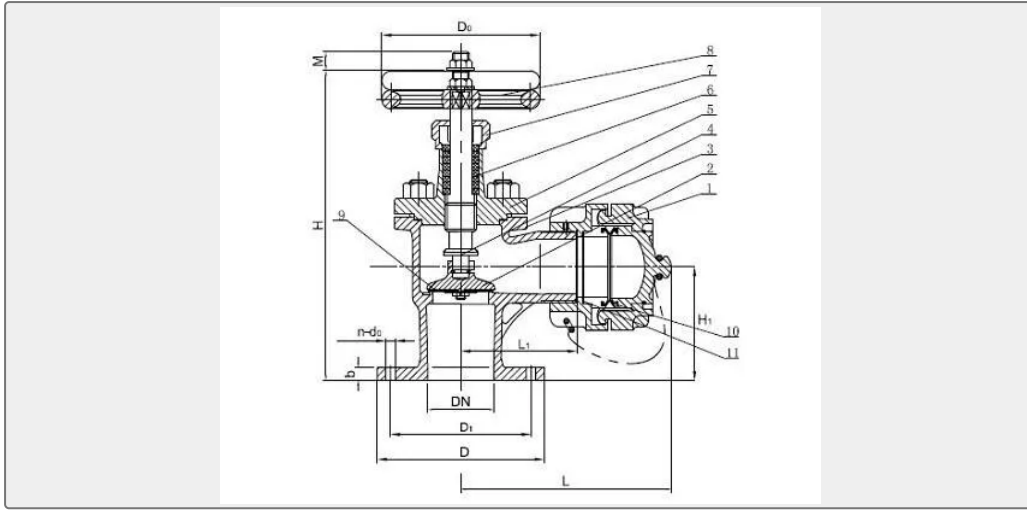
Category	GB Marine Fire Hydrant	Model / SKU	Marine-Angle-Fire-Hydrant-GB-T2032-93
Standard	JIS	Material	Bronze or Brass
Weight / Size	GB600 Flange size as per GB569, GB2501.	Certificate	CCS, BV, ABS, GL, LR, DNV, NK,RINA, KR,IRS
Warranty	12 Months unless specified otherwise	Origin	China

#### CONTENTS

- China Marine Angle Fire Hydrant GB/T2032-93:
- Main Parts & Material:
- Main Size List(mm):



# China Marine Angle Fire Hydrant GB/T2032-93:



Marine Fire Hydrant also is called as marine hose valve. There straight type and angle type.

Design Standard: GB/T2032-93, CBM1107-82

Test Standard: GB600

Flange size as per GB569, GB2501. Also be as per JIS, DIN, ANSI, BS standard.

Nominal Pressure (Mpa)	Nominal Diameter (mm)	Applicable Medium
1.0	40--65	Sea water, fresh water

## Main Parts & Material:

Body-Bronze or Brass

Bonnet-Bronze or Brass

Disc-Bronze or Brass

Stem-Bronze

Seal Face-Bronze or Brass

Adaptor-Brass

## Main Size List(mm):

Type A/B:

DN (m m)	Structure Dimension						Thickn ess $\delta$	Flange					Bolt		hand wheel		Lift Range m	Weight(k g)			
	L		L1		H1			L2	H 2	D	D 1	D 2	d 0	b	n	Th.		Do	S	A	B
	A	B	A	B	A	B															
40	24	13	85	7	18	15	90	7	5	12	93	74	1	1	6	M1	12	11	14	6.	5.7
	0	4		0	1	4		0		5			4	4	4	4	0			25	5
50	25	14	85	8	18	15	10	8	5	13	10	84	1	1	6	M1	12	11	16	7.	7.2
	8	5		0	9	6	0	0		5	3		4	4	4	4	0				



65	29	17	10	9	22	12	12	9	6	15	12	10	1	1	6	M1	14	12	20	9.	9.4
	4	0	0	5	0	5	0	0		5	3	4	5	4		4	0			80	0

Type AS/BS:

DN (m m)	Structure Dimension									Thickn ess $\delta$	Flange					Bolt		hand wheel		Lift Range m	Weight(kg )		
	L		L1		H1		L2	H 2	D		D 1	D 2	b	d 0	n	Th .	Do	S				AS	BS
	A S	B S	A S	B S	A S	B S																AS	BS
40	22	13	80	6	18	15	80	6	5	15	11	88	1	1	4	M1	12	11	14	7.2	6.6		
	5	0		5	1	4		5		0	0		6	8		6	0		5	5			
50	23	14	85	7	18	15	85	7	5	16	12	10	1	1	4	M1	12	11	16	8.9	8.2		
	8	5		5	9	6		5		5	5	2	7	8		6	0		4	7			
65	28	17	10	9	22	19	11	9	6	18	14	12	1	1	4	M1	14	12	20	10.	10.		
	4	0	0	5	0	0	0	0		5	5	2	7	8		6	0		70	30			

The size when working pressure is 3Mpa

DN (mm )	Structure Dimension			Thickness $\delta$	Flange					Bolt		hand wheel		Lift Range m	Joint	Weight(k g)
	L	H1	H		D	D1	D2	d 0	b	n	Th.	Do	S		d0	
40	62	90	326	5	12	93	74	1	1	6	M1	120	11	11	G1- 1/2	7.6
					5			5	4		4					
50	75	95	353	6	13	10	84	1	1	6	M1	140	11	14	G2	9.8
					5	3		5	4		4					
60	82	115	416	7	17	13	11	1	1	8	M1	160	12	18	G2- 1/2	12.6
					0	2	0	7	7		6					

A/AS-Straight Type

B/BS-Angle Type