

Jinbo Marine

Marine & Offshore Equipment Datasheet

PRODUCT DATASHEET

CB MARINE FILTER

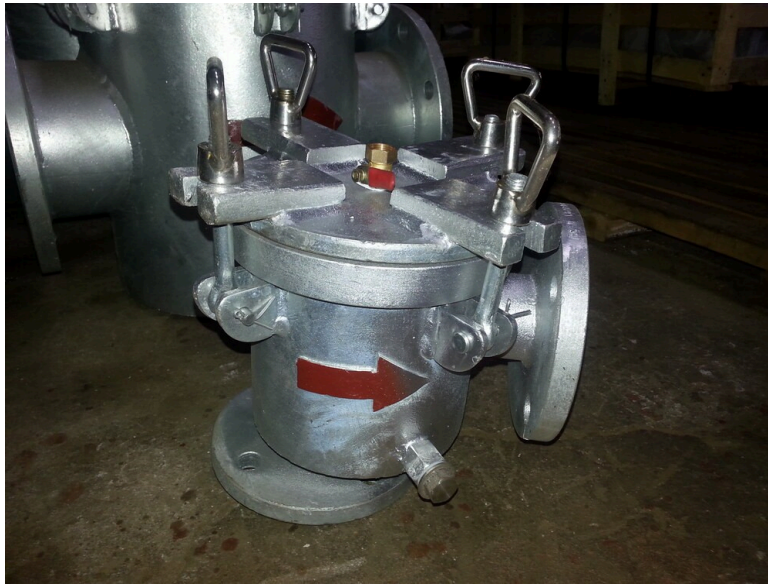
Marine Angle Mud Box CB/T3198-94

Marine Angle Mud Box is used as the suction mud box of the bilge pipe on the location of marine machinery and its shaft tunnel, to prevent the cotton yarn, cloth, oil mud and other sewage into the suction pipe system. ...

ISO9001 Supplier

Class Certificate

Export Supply



Key Highlights

Category	CB Marine Filter
Standard	GB
Material	Cast Iron
Weight / Size	CB/T3198-94, CBM1062-81 Flange size as per:
Certificate	Mill Certificate

We can supply according to your requirement, drawings, class certificate needs, and delivery schedule.

Technical Specifications

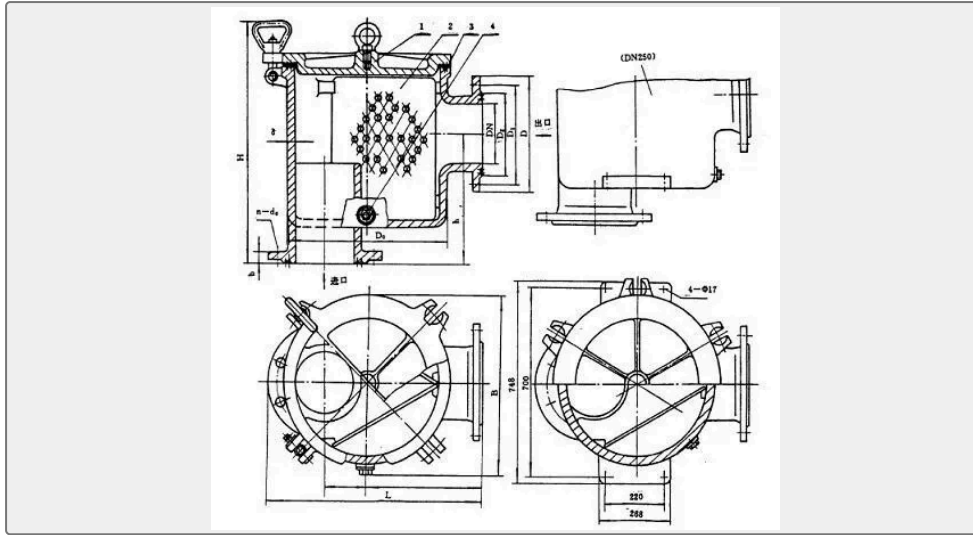
Category	CB Marine Filter	Model / SKU	Marine-Angle-Mud-Box-CB-T3198-94
Standard	GB	Material	Cast Iron
Weight / Size	CB/T3198-94, CBM1062-81 Flange size as per:	Surface	Cast Iron (HT200) with painting or hot dip galv Filter Screen:
Certificate	Mill Certificate	Warranty	12 Months unless specified otherwise
Origin	China		

CONTENTS

- China Marine Angle Mud Box CB/T3198-94:
- Main Parts & Material:
- Main Size List(mm):

 0.056798s

China Marine Angle Mud Box CB/T3198-94:



Marine Angle Mud Box is used as the suction mud box of the bilge pipe on the location of marine machinery and its shaft tunnel, to prevent the cotton yarn, cloth, oil mud and other sewage into the suction pipe system.

Standard: CB/T3198-94, CBM1062-81

Flange size as per: GB569 or GB2501

Hydraulic Test as per GB600.

Nominal Pressure: 0.1Mpa

Nominal Size: DN50-250

Main Parts & Material:

Body: Cast Iron (HT200) with painting or hot dip galv

Filter Screen: carbon steel with hot dip galv or stainless steel

Main Size List(mm):

For B type:

DN	L	l	l1	B	H	h	D0	δ	D	D1	D2	b	d0	no of Bolt	Th	Weight(kgs)
50	227.5	120	40	184	273	135	150	10	135	103	84	15	15	6	M14	15.6
65	280	150	52.5	222	320	160	192	11	155	123	104	15	15	6	M14	27.5
80	300	160	55	240	350	180	212	11	170	138	118	15	15	8	M14	30.6
100	355	190	70	282	390	210	264	12	190	158	138	15	15	8	M14	38.5
125	430	235	87.5	356	496	285	328	14	215	183	164	15	15	10	M14	74.9
150	510	280	110	431	600	345	402	16	240	208	190	16	15	12	M14	113.3
200	612.5	330	135	606	741	440	506	18	295	264	247	16	15	12	M14	198.2
250	717.5	380	155	874	874	500	598	19	365	327	306	18	17	14	M16	343.2

For BS type:



DN	L	I	l1	B	H	h	D0	δ	D	D1	D2	b	d0	no of Bolt	Th	Weight(kgs)
50	227.5	120	40	184	273	135	150	10	140	110	90	16	14	4	M12	16.2
65	280	150	52.5	222	320	160	192	11	160	130	110	16	14	4	M12	28.5
80	300	160	55	240	350	180	212	11	190	150	128	18	18	4	M16	32.6
100	355	190	70	282	390	210	264	12	210	170	148	18	18	4	M16	43.1
125	430	235	87.5	356	496	285	328	14	240	200	178	20	18	8	M16	81.2
150	510	280	110	431	600	345	402	16	265	225	202	20	18	8	M16	200.4
200	612.5	330	135	606	741	440	506	18	320	280	258	22	18	8	M16	207.6
250	717.5	380	155	874	874	500	598	19	375	335	312	24	18	12	M16	354.4