

Jinbo Marine

Marine & Offshore Equipment Datasheet

PRODUCT DATASHEET

CB MARINE FILTER

Marine Angle Sea Water Strainer CB/T497-94 BL/BLS/BR/BRS Type

ISO9001 Supplier

Class Certificate

Export Supply

Marine Sea Water Strainer is used on the sea water or fresh water pipe system to filter the bulky impurities. Standard: CB/T497-94 & CBM1061-81 Flange size as per: GB569 or GB2501 Hydraulic Test as ...



Key Highlights

Category	CB Marine Filter
Standard	GB
Material	Carbon Steel
Weight / Size	CB/T497-94 & CBM1061-81 Flange size as per:
Certificate	Mill Certificate

We can supply according to your requirement, drawings, class certificate needs, and delivery schedule.

Technical Specifications

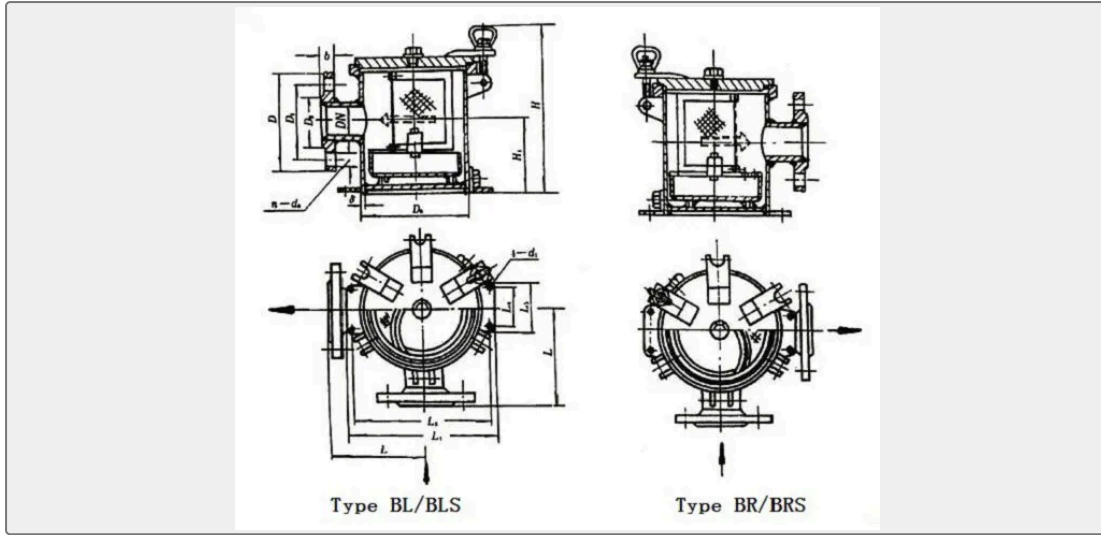
Category	CB Marine Filter	Model / SKU	Marine-Angle-Sea-Water-Strainer-CB-T497-94-BL-BLS-BR-BRS-Type
Standard	GB	Material	Carbon Steel
Weight / Size	CB/T497-94 & CBM1061-81 Flange size as per:	Certificate	Mill Certificate
Warranty	12 Months unless specified otherwise	Origin	China

CONTENTS

- China Marine Angle Sea Water Strainer CB/T497-94 BL/BLS/BR/BRS Type:
- Main Parts & Material:
- Main Size List(mm):



China Marine Angle Sea Water Strainer CB/T497-94 BL/BLS/BR/BRS Type:



Marine Sea Water Strainer is used on the sea water or fresh water pipe system to filter the bulky impurities.

Standard: CB/T497-94 & CBM1061-81

Flange size as per: GB569 or GB2501

Hydraulic Test as per GB600, it should be tested with 0.15Mpa water, last 5minutes, without leakage.

Type		Nominal Pressure(Mpa)	Nominal Size(mm)
A	AS	0.1	40-500
BL	BLS		40-350
BR	BRS		

Main Parts & Material:

Body: Carbon Steel with hot dip galv

Cover: Carbon Steel with hot dip galv

Filter Screen: Stainless steel or carbon steel

Flange: carbon steel

Main Size List(mm):

For BR/BL type:

DN	L	H	H1	D0	δ	D	D1	D2	b	d	No of Bolt Hole	Th	L1	L2	L3	L	d	Weight(kg s)
										0						4	1	

40	13 5	22 5	92	13 3	5	12 5	93	74	1 5	1 5	6	M1 4	-					12.9
50	13 5	22 5	92	13 3	5	13 5	10 3	84	1 5	1 5	6	M1 4	-					13.1
65	15 5	32 5	12 2	15 5	5	15 5	12 3	10 4	1 4	1 5	6	M1 4	-					17.2
80	17 5	36 0	15 2	18 0	6	17 0	13 8	11 8	1 4	1 5	8	M1 4	-					38.2
10 0	21 0	41 5	18 2	25 0	6	19 0	15 8	13 8	1 4	1 5	8	M1 4	-					36.5
12 5	21 0	44 5	18 2	25 7	6	21 5	18 3	16 4	1 4	1 5	10	M1 4	-					41.6
15 0	24 5	47 0	19 0	31 2	6	24 0	20 8	19 0	1 4	1 5	12	M1 4	-					60.2
20 0	27 0	55 0	24 0	36 2	8	29 5	26 4	24 7	1 5	1 5	12	M1 4	44 0	41 0	80	5 0	1 7	89.6
25 0	30 0	67 5	31 5	45 0	8	36 5	32 7	30 6	1 6	1 7	14	M1 6	52 0	49 0	80	5 0	1 7	137
30 0	33 0	77 0	34 0	50 0	8	43 0	38 6	36 0	1 9	2 1	14	M2 0	59 0	56 0	10 0	7 0	1 7	175
35 0	42 5	96 3	50 8	58 0	1 0	48 0	43 6	41 0	2 0	2 1	16	M2 0	68 0	64 0	12 0	8 0	1 9	359.4

For BLS/BRS Type:

DN	L	H	H1	D0	δ	D	D1	D2	b	d 0	No of Bolt Hole	Th	L1	L2	L3	L 4	d 1	Weight(kg s)
40	13 5	22 5	92	13 3	5	13 0	10 0	80	1 6	1 4	4	M1 2	-					13
50	13 5	22 5	92	13 3	5	14 0	11 0	90	1 6	1 4	4	M1 2	-					13.2
65	15 5	32 5	12 2	15 5	5	16 0	13 0	11 0	1 6	1 8	4	M1 2	-					17.4
80	17 5	36 0	15 2	18 0	6	19 0	15 0	12 8	1 8	1 8	4	M1 6	-					21.7
10 0	21 0	41 5	18 2	25 0	6	21 0	17 0	14 8	1 8	1 8	4	M1 6	-					38.4
12 5	21 0	44 5	18 2	25 7	6	24 0	20 0	17 8	2 0	1 8	8	M1 6	-					43.4
15 0	24 5	47 0	19 0	31 2	6	26 5	22 5	20 2	2 0	1 8	8	M1 6	-					62.1
20 0	27 0	55 0	24 0	36 2	8	32 0	28 0	25 8	2 2	1 8	8	M1 6	44 0	41 0	80	5 0	1 7	92.7



25 0	30 0	67 5	31 5	45 0	8	37 5	33 5	31 2	2 4	1 8	12	M1 6	52 0	49 0	80	5 0	1 7	140
30 0	33 0	77 0	34 0	50 0	8	44 0	39 5	36 5	2 4	2 2	12	M2 0	59 0	56 0	10 0	7 0	1 7	176
35 0	42 5	96 3	50 8	58 0	1 0	49 0	44 5	41 5	2 6	2 2	12	M2 0	68 0	64 0	12 0	8 0	1 9	366.4