

Jinbo Marine

Marine & Offshore Equipment Datasheet

PRODUCT DATASHEET

OTHER MARINE VALVES & ACCESSORIES

Marine Blind Valve

Marine Blind Valve is mainly consisted of body,disc,disc seal ring,disc locknut,bonnet,bonnet gasket ect.The disc is used for cutting off or dredging the pipeline.The suitable medium can be water,oil,gas and the suitable...

ISO9001 Supplier

Class Certificate

Export Supply



Key Highlights

Category	Other Marine Valves & Accessories
Standard	DIN
Material	Stainless Steel or Carbon Steel
Weight / Size	1.Size:
Certificate	Mill certificate

We can supply according to your requirement, drawings, class certificate needs, and delivery schedule.

Technical Specifications

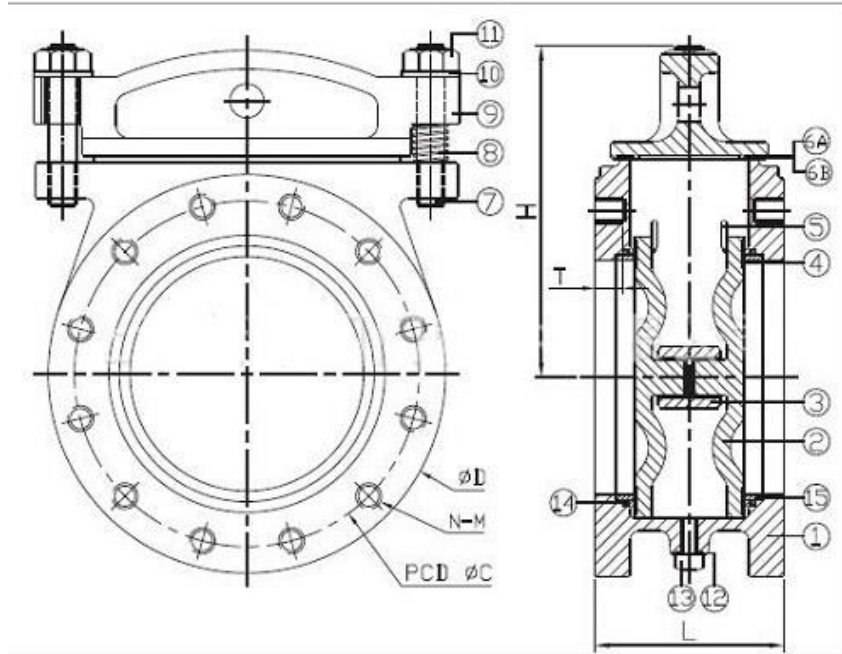
Category	Other Marine Valves & Accessories	Model / SKU	Marine-Blind-Valve
Standard	DIN	Material	Stainless Steel or Carbon Steel
Weight / Size	1.Size:	Certificate	Mill certificate
Warranty	12 Months unless specified otherwise	Origin	China

CONTENTS

- China Marine Blind Valve:
- Working Principle:
- Main Specification:
- Main Parts & Material:



China Marine Blind Valve:



Marine Blind Valve is mainly consisted of body,disc,disc seal ring,disc locknut,bonnet,bonnet gasket ect.The disc is used for cutting off or dredging the pipeline.The suitable medium can be water,oil,gas and the suitable temperature can be-29°C-150°C.The main property is simple structure and reliable performance,this valves is suitable to install in the narrow space just like ship.

Main Specification:

- 1.Size: 2"~12" (DN50~DN300)
2. Working Pressure : W. P.: PN10/16/25 10K/16K/20K,CLASS150
3. Working Temperature: W. T.: -29°C ~200°C (-20°F~392°F)
- 4.Design Standard: GB, DIN, ANSI

Working Principle:

The turning direction for the screw thread on the two discs are on the contrary,the distance between the two disc will be reduced or increased when turning the disc locknut and the disc seal will be nearer or farer to the body seal.Full port design to reduce the flow resistance.The seal gasket and bonnet seal gasket is PTFE with good corrosion

Main Parts & Material:

ITEM NO	PARTS NAME	MATERIAL	
1	BODY	ASTM A351-CF8M	ASTM A216-WCB
2	DISC	AISI 316	AISI 304
3	TIGHTENING NUT		
4	DISC SEAL	PTFE	
5	STOP PIN	AISI 316	AISI 304
6	TOP COVER SEAL	KEMFLON + PTFE	

7	TOP COVER BOLTS	AISI 316	AISI 304
8	SPRING	STAINLESS STEEL	
9	TOP COVER	ASTM A351-CF8M	ASTM A216-WCB
10	WASHER	AISI 316	AISI 304
11	TOP COVER NUT		
12	DRAIN PLUG SEAL	PTFE	
13	DRAIN PLUG	AISI 316	AISI 304
14	O-RING (2"~10")	-	VITON
15	METAL RING (2"~10")	-	AISI 304