

Jinbo Marine

Marine & Offshore Equipment Datasheet

PRODUCT DATASHEET

ELECTRICAL CONNECTORS

Marine Brass High-Current Water-tight Socket with Chain Switch CZKLS3-2

ISO9001 Supplier

Class Certificate

Export Supply

Marine Brass High-Current Water-tight Socket with Chain Switch, CZKLS3-2

**Key Highlights**

Category	Electrical Connectors
Standard	EN
Material	Brass
Weight / Size	Marine Brass High-Current Water-tight Socket with Chain Switch, CZKLS3-2...
Certificate	ABS, LR, BV, DNVGL, NK, KR, IRS, RMRS, CCS

We can supply according to your requirement, drawings, class certificate needs, and delivery schedule.

Technical Specifications

Category	Electrical Connectors	Model / SKU	Marine-Brass-High-Current-Water-tight-Socket-with-Chain-Switch-CZKLS3-2
Standard	EN	Material	Brass
Weight / Size	Marine Brass High-Current Water-tight Socket with Chain Switch, CZKLS3-2 Technical Specification Type CZKLS3-2/115 CZKLS3-2215 CZKLS3-2/415 CZKLS3-2/515 CZKLS3-2/715 Weight 5.6kgs 5.6kgs 5.9kgs 5.9kgs 5.9kgs Rating Voltage AC440V/380V Rating Current 32A Protection Class IP56 Cable Outside Diameter DIA14-16	Certificate	ABS, LR, BV, DNVGL, NK, KR, IRS, RMRS, CCS
Warranty	12 Months unless specified otherwise	Origin	China

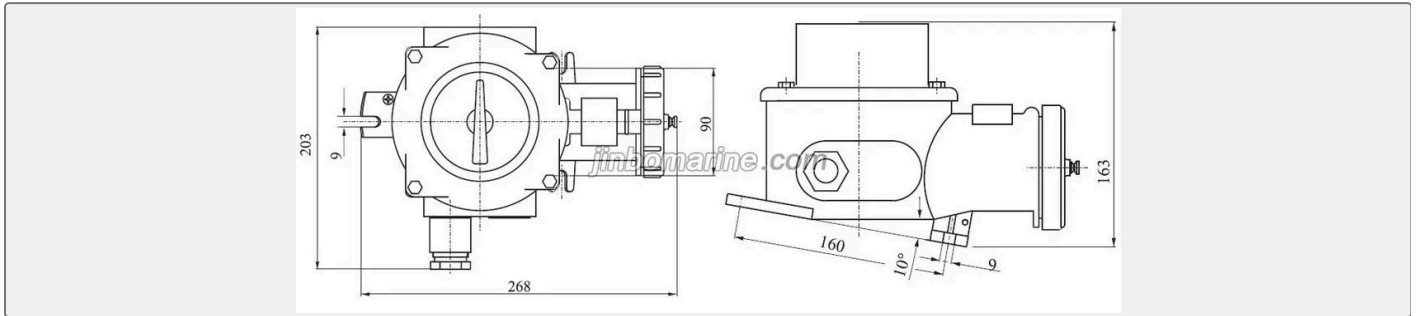


0.049982s

China Marine Brass High-Current Water-tight Socket with Chain Switch CZKLS3-2:

Marine Brass High-Current Water-tight Socket with Chain Switch, CZKLS3-2

Technical Specification



Type	CZKLS3-2/115	CZKLS3-2/215	CZKLS3-2/415	CZKLS3-2/515	CZKLS3-2/715
Weight	5.6kgs	5.6kgs	5.9kgs	5.9kgs	5.9kgs
Rating Voltage	AC440V/380V				
Rating Current	32A				
Protection Class	IP56				
Cable Outside Diameter	DIA14-16				



