

Jinbo Marine

Marine & Offshore Equipment Datasheet

PRODUCT DATASHEET

JIS MARINE GLOBE VALVE

Marine Bronze 5K Globe Valve (Union Bonnet Type) JIS F7346

ISO9001 Supplier

Class Certificate

Export Supply

Marine Bronze Globe Valve (Union Bonnet type) is used on the ship pipe line of steam, fresh water, sea water, fuel oil & lubrication oil. Function: Open/Close the pipe system Design Standard: JIS F7346-199...



Key Highlights

Category	JIS Marine Globe Valve
Standard	JIS
Material	Bronze/Brass
Weight / Size	Body-1.05Mpa, Seat-0.77Mpa Flange Size as per JIS B2220-5K Main Material...
Certificate	CCS, BV, ABS, NK, DNV/GL, LR

We can supply according to your requirement, drawings, class certificate needs, and delivery schedule.

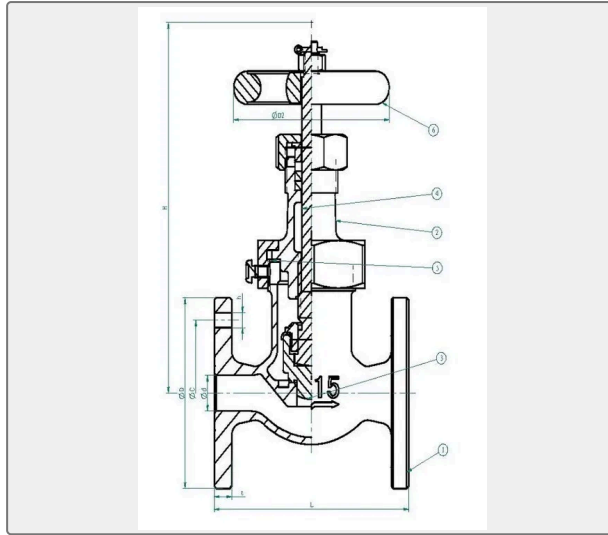
Technical Specifications

Category	JIS Marine Globe Valve	Model / SKU	Marine-Bronze-5K-Globe-Valve-Union-Bonnet-Type-JIS-F7346
Standard	JIS	Material	Bronze/Brass
Weight / Size	Body-1.05Mpa, Seat-0.77Mpa Flange Size as per JIS B2220-5K Main Material:	Certificate	CCS, BV, ABS, NK, DNV/GL, LR
Warranty	12 Months unless specified otherwise	Origin	China

CONTENTS

- China Marine Bronze 5K Globe Valve (Union Bonnet Type) JIS F7346:
- Main Size List(mm):
- Main Material:

China Marine Bronze 5K Globe Valve (Union Bonnet Type) JIS F7346:



Marine Bronze Globe Valve (Union Bonnet type) is used on the ship pipe line of steam, fresh water, sea water, fuel oil & lubrication oil.

Function: Open/Close the pipe system

Design Standard: JIS F7346-1996

Test Standard: JIS F7400-1996

Test Pressure: Body-1.05Mpa, Seat-0.77Mpa

Flange Size as per JIS B2220-5K

Main Material:

1-Body: Bronze (BC6)/ Brass

2-Disc: Bronze (BC6) / Brass

3-Stem: Brass (C3771BD)

4-Bonnet: Bronze (BC6) /Brass

5-Handwheel: Cast Iron (FC200)

Main Size List(mm):

Size	Face to Face (L)	Flange diam. (D)	Pitch (C)	No of Bolt Hole	h	t	H	D2
15	100	80	60	4	12	9	130	80
20	110	85	65	4	12	10	140	100
25	120	95	75	4	12	10	160	125
32	140	115	90	4	15	12	170	125
40	160	120	95	4	15	12	190	140