

Jinbo Marine

Marine & Offshore Equipment Datasheet

PRODUCT DATASHEET

CB MARINE PRESSURE REDUCING VALVE

Marine Bronze Air Pressure Reducing Valve

ISO9001 Supplier

Class Certificate

Export Supply

Marine Air Pressure Reducing Valves are used for marine air pipe systems. It can keep outlet pressure stable. The connection way is thread. Standard CB/T3656-94 for reference.

Technical Data: Press...



Key Highlights

Category	CB Marine Pressure Reducing Valve
Standard	CB
Material	Bronze
Weight / Size	Body-Bronze Bonnet-Bronze Spring-60Si2MnA Film-Rubber Main Size List(mm)...
Certificate	Mill Certificate

We can supply according to your requirement, drawings, class certificate needs, and delivery schedule.

Technical Specifications

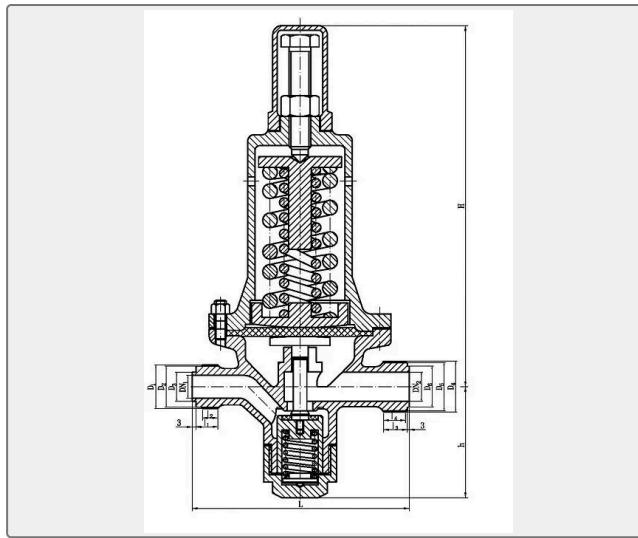
Category	CB Marine Pressure Reducing Valve	Model / SKU	Marine-Bronze-Air-Pressure-Reducing-Valve
Standard	CB	Material	Bronze
Weight / Size	Body-Bronze Bonnet-Bronze Spring-60Si2MnA Film-Rubber Main Size List(mm):	Certificate	Mill Certificate
Warranty	12 Months unless specified otherwise	Origin	China

CONTENTS

- China Marine Bronze Air Pressure Reducing Valve:
- Main Parts & Material:
- Technical Data:
- Main Size List(mm):

China Marine Bronze Air Pressure Reducing Valve:





Marine Air Pressure Reducing Valves are used for marine air pipe systems. They can keep outlet pressure stable. The connection way is thread. Standard CB/T3656-94 for reference.

Technical Data:

Pressure Class	Inlet Pressure P1 (Mpa)	Outlet Pressure P2(Mpa)
A	3.0	1.0~0.7
B	3.0	<0.7~0.2
C	1.0	0.4~0.05

Main Parts & Material:

Body-Bronze

Bonnet-Bronze

Spring-60Si2MnA

Film-Rubber

Main Size List(mm):

Nominal Diameter		Structure Dimension			Outside Thread Dimension										weight (kg)
DN1	DN2	L	H	h	Inlet					Outlet					
DN1	DN2	L	H	h	D1	D2	D3	L1	L2	D3	D4	D5	L3	L4	
15	20	210	263	99	M36×2	33	22	22	5	M39×2	36	25	23	5	6.57
20	25	229	395	121	M39×2	36	25	23	5	M48×2	45	32	26	6	22.3
25	32	229	395	121	M48×2	45	32	26	6	M56×2	53	38	28	6	27.3