

Jinbo Marine

Marine & Offshore Equipment Datasheet

PRODUCT DATASHEET

JIS MARINE HOSE VALVE

Marine Bronze Angle Hose Valve JIS F7334 10K (DN15-DN25)

ISO9001 Supplier

Class Certificate

Export Supply

Design Standard: JIS F7334-1996 Test Standard: JIS 7400-1996 Hydraulic Test Pressure: Body- 2.1Mpa, Seat-1.54Mpa Flange size as per JIS B2220 - 10K Main Material: Body: Bronze (BC6) Di...



Key Highlights

Category	JIS Marine Hose Valve
Standard	JIS
Material	Bronze
Weight / Size	Body- 2.1Mpa, Seat-1.54Mpa Flange size as per JIS B2220 - 10K Main Mater...
Certificate	CCS,BV, NK,DNV,GL, LR, ABS, RINA

We can supply according to your requirement, drawings, class certificate needs, and delivery schedule.

Technical Specifications

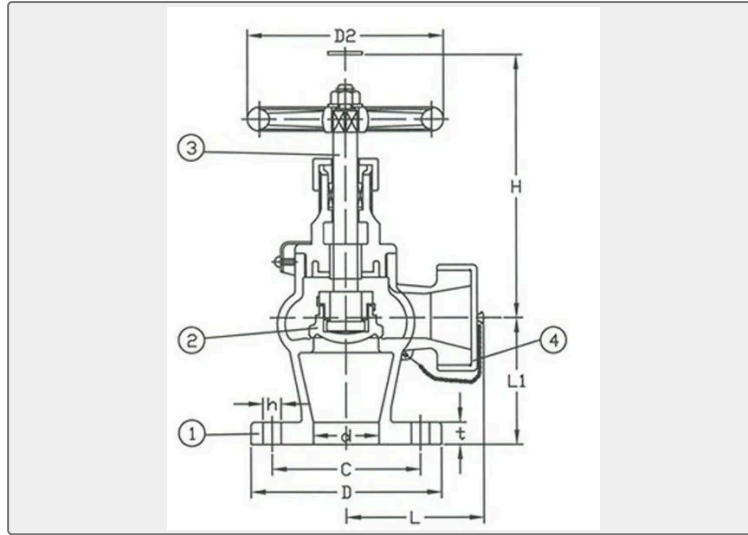
Category	JIS Marine Hose Valve	Model / SKU	Marine-Bronze-Angle-Hose-Valve- JIS-F7334-10K-DN15-DN25
Standard	JIS	Material	Bronze
Weight / Size	Body- 2.1Mpa, Seat-1.54Mpa Flange size as per JIS B2220 - 10K Main Material:	Certificate	CCS,BV, NK,DNV,GL, LR, ABS, RINA
Warranty	12 Months unless specified otherwise	Origin	China

CONTENTS

- China Marine Bronze Angle Hose Valve JIS F7334 10K (DN15-DN25):
- Main Size List(mm):
- Main Material:



China Marine Bronze Angle Hose Valve JIS F7334 10K (DN15-DN25):



Design Standard: JIS F7334-1996

Test Standard: JIS 7400-1996

Hydraulic Test Pressure: Body- 2.1Mpa, Seat-1.54Mpa

Flange size as per JIS B2220 - 10K

Main Material:

Body: Bronze (BC6)

Disc: Bronze (BC6)

Seat: Bronze (BC6)

Stem: Brass (C3771BD)

Coupling: Brass or Bronze

Bonnet: Bronze (BC6)

Handwheel: Cast Iron (FC200)

Main Size List(mm):

IMPA Code	Size	L	L1	D	C	No of Bolt Hole	h	t	H	D2
751706	5K15	68	55	80	60	4	12	9	120	80
751707	10K15	73	70	95	70	4	15	12	120	80
751708	5K25	78	65	95	75	4	12	10	145	125
751709	10K25	83	70	125	90	4	19	14	145	125