

Jinbo Marine

Marine & Offshore Equipment Datasheet

PRODUCT DATASHEET

JIS MARINE HOSE VALVE

Marine Bronze Angle Hose Valve JIS F7334 5K (DN15-DN25)

ISO9001 Supplier

Class Certificate

Export Supply

Design Standard: JIS F7334-1996 Test Standard: JIS 7400-1996 Hydraulic Test Pressure: Body- 1.05Mpa, Seat-0.77Mpa Flange size as per JIS B2220 - 5K Main Material: Body: Bronze (BC6) Di...



Key Highlights

Category	JIS Marine Hose Valve
Standard	JIS
Material	Bronze
Weight / Size	Body- 1.05Mpa, Seat-0.77Mpa Flange size as per JIS B2220 - 5K Main Mater...
Certificate	CCS,BV,GL,NK,RINA,ABS,DN V,LR

We can supply according to your requirement, drawings, class certificate needs, and delivery schedule.

Technical Specifications

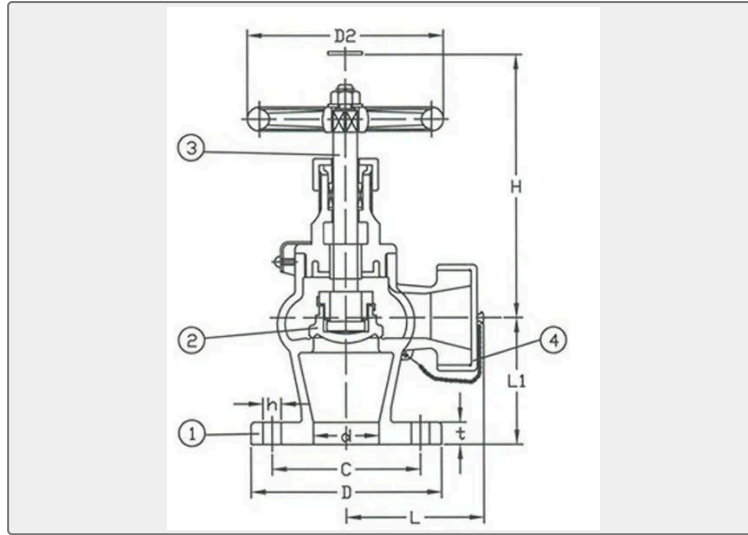
Category	JIS Marine Hose Valve	Model / SKU	Marine-Bronze-Angle-Hose-Valve-JIS-F7334-5K-DN15-DN25
Standard	JIS	Material	Bronze
Weight / Size	Body- 1.05Mpa, Seat-0.77Mpa Flange size as per JIS B2220 - 5K Main Material:	Certificate	CCS,BV,GL,NK,RINA,ABS,DNV,L R
Warranty	12 Months unless specified otherwise	Origin	China

CONTENTS

- China Marine Bronze Angle Hose Valve JIS F7334 5K (DN15-DN25):
- Main Size List(mm):
- Main Material:



China Marine Bronze Angle Hose Valve JIS F7334 5K (DN15-DN25):



Design Standard: JIS F7334-1996

Test Standard: JIS 7400-1996

Hydraulic Test Pressure: Body- 1.05Mpa, Seat-0.77Mpa

Flange size as per JIS B2220 - 5K

Main Material:

Body: Bronze (BC6)

Disc: Bronze (BC6)

Seat: Bronze (BC6)

Stem: Brass (C3771BD)

Coupling: Brass or Bronze

Bonnet: Bronze (BC6)

Handwheel: Cast Iron (FC200)

Main Size List(mm):

IMPA Code	Size	L	L1	D	C	No of Bolt Hole	h	t	H	D2
751706	5K15	68	55	80	60	4	12	9	120	80
751707	10K15	73	70	95	70	4	15	12	120	80
751708	5K25	78	65	95	75	4	12	10	145	125
751709	10K25	83	70	125	90	4	19	14	145	125