

GB MARINE GLOBE VALVE

Marine Bronze Angle Screw Down Globe Check Valve GB/T588-2008 Type B/BS

ISO9001 Supplier

Class Certificate

Export Supply

Marine Bronze Angle Screw Down Globe Check Valve also can be called as Marine Bronze Angle SDNR Valve, SDNR Globe Valve or Stop Check Valve. It is used on the pipe system with the medium sea water, fresh water, lubricant...



Key Highlights

Category	GB Marine Globe Valve
Standard	GB
Material	Bronze
Weight / Size	GB600 Flange size as per GB569 or GB2501 Nominal Pressure(MPa) Nominal D...
Certificate	CCS, BV, ABS, GL, LR, DNV, NK,RINA, KR,IRS

We can supply according to your requirement, drawings, class certificate needs, and delivery schedule.

Technical Specifications

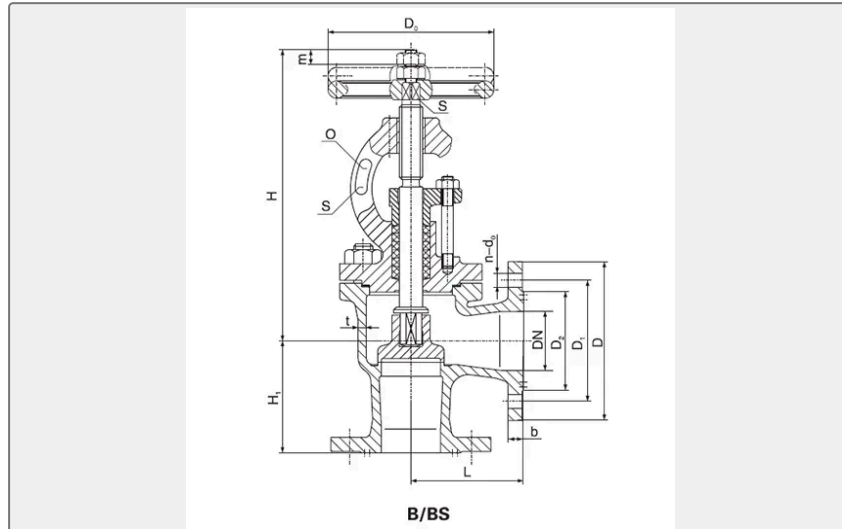
Category	GB Marine Globe Valve	Model / SKU	Marine-Bronze-Angle-Screw-Down-Globe-Check-Valve-GB-T588-2008-Type-B-BS
Standard	GB	Material	Bronze
Weight / Size	GB600 Flange size as per GB569 or GB2501 Nominal Pressure(MPa) Nominal Diameter(mm) Applicable Medium 0.6 15 ~ 150 Sea water, Fresh water, Lubricating oil, Fuel oil, t≤250°Csteam.	Certificate	CCS, BV, ABS, GL, LR, DNV, NK,RINA, KR,IRS
Warranty	12 Months unless specified otherwise	Origin	China



CONTENTS

- China Marine Bronze Angle Screw Down Globe Check Valve GB/T588-2008 Type B/BS:
- Main Material:
- Main Size List(mm):

China Marine Bronze Angle Screw Down Globe Check Valve GB/T588-2008 Type B/BS:



Marine Bronze Angle Screw Down Globe Check Valve also can be called as Marine Bronze Angle SDNR Valve, SDNR Globe Valve or Stop Check Valve. It is used on the pipe system with the medium sea water, fresh water, lubricating oil, fuel oil and temperature $\leq 250^{\circ}\text{C}$ steam.

Design Standard: GB/T588-2008

Test Standard: GB600

Flange size as per GB569 or GB2501

Nominal Pressure(MPa)	Nominal Diameter(mm)	Applicable Medium
0.6	15 ~ 150	Sea water, Fresh water, Lubricating oil, Fuel oil, $t \leq 250^{\circ}\text{C}$ steam.
1.0	65 ~ 150	
1.6	65 ~ 150	
2.5	15 ~ 125	

Main Material:

Body-Bronze (ZCuSN5Pb5Zn5)

Bonnet-Bronze (ZCuSN5Pb5Zn5)

Disc-Bronze (ZCuSN5Pb5Zn5)

Seat-Bronze (ZCuSN5Pb5Zn5)

Stem-Bronze(QAI9-2)

Main Size List(mm):

Type B:

PN (MPa)	DN (mm)	Structure Dimension			Thickness δ	flange					Bolt		Hand wheel		Lift Range	Weigh t
		L	H \approx	H1		D	D1	D2	d 0	b	n	Th	Do	S	m	kgs
1.0	65	115	277	115	6	15 5	12 3	10 4	1 5	1 4	6	M1 4	140	12	18	12.8
	80	125	304	125	6	17 0	13 8	11 8	1 5	1 4	8	M1 4	160	14	24	17.6
	100	150	325	135	6	19 0	15 8	13 8	1 5	1 4	8	M1 4	180	14	35	23.6
	125	175	372	155	7	21 5	18 3	16 4	1 5	1 4	1 0	M1 4	200	17	44	35.6
	150	180	415	160	7	24 0	20 8	19 0	1 5	1 4	1 2	M1 4	200	17	57	48.6
1.6	125	175	405	155	7	22 5	18 7	16 8	1 7	1 7	1 0	M1 6	250	22	44	45.7
	120	180	457	160	8	25 5	21 7	19 6	1 7	1 9	1 2	M1 6	280	24	57	58.9
2.5	20	75	203	75	5	95	68	48	1 3	1 2	4	M1 2	80	8	7	4.5
	25	80	203	80	5	10 5	73	56	1 3	1 3	4	M1 2	80	8	7	5.4
	32	85	216	85	5	11 5	83	64	1 5	1 3	6	M1 4	100	9	9	6.4
	40	90	236	90	5	12 5	93	74	1 5	1 4	6	M1 4	120	11	11	8.4
	50	95	258	95	6	13 5	10 3	84	1 5	1 4	6	M1 4	140	12	14	10.5
	65	115	301	115	7	17 0	13 2	11 0	1 7	1 7	8	M1 6	160	14	18	15.3
	80	125	325	125	7	18 5	14 7	12 6	1 7	1 9	8	M1 6	200	17	24	24.0
	100	150	378	135	8	20 5	16 7	14 6	1 7	1 9	1 0	M1 6	250	22	35	33.4
	125	175	433	155	9	24 0	19 6	17 2	2 1	2 1	1 0	M2 0	280	24	44	54.5

Type BS:

PN (MPa)	DN (mm)	Structure Dimension			Thickness δ	flange					Bolt		Hand wheel		Lift Range m	Weigh t kgs
		L	H1	H≈		D	D1	D2	d 0	b	n	Th	Do	S		
0.6	15	90		203	4	80	55	40	11	1 2	4	M1 0	80	8	7	4.0
	20	95		203	4	60	65	50	11	1 2	4	M1 0	80	8	7	4.5
	25	100		203	4	10 0	75	60	11	1 4	4	M1 0	80	8	7	5.1
	32	105		216	5	12 0	90	70	1 4	1 5	4	M1 2	100	9	9	6.4
	40	115		236	5	13 0	10 0	80	1 4	1 6	4	M1 2	120	11	11	8.4
	50	125		258	5	14 0	11 0	90	1 4	1 7	4	M1 2	140	12	14	10.5
	65	145		277	6	16 0	13 0	11 0	1 4	1 7	4	M1 2	140	12	19	15.8
	80	155		304	6	19 0	15 0	12 8	1 8	1 9	4	M1 6	160	14	26	21.7
	100	175		325	6	21 0	17 0	14 8	1 8	2 0	4	M1 6	180	14	35	29.9
	125	200		366	7	24 0	20 0	17 8	1 8	2 0	8	M1 6	200	17	44	44.4
	150	225		415	7	26 5	22 5	20 2	1 8	2 0	8	M1 6	200	17	57	62.9
1.6	65	145		301	6	18 5	14 5	12 2	1 8	1 7	4	M1 6	160	14	18	19.6
	80	155		325	6	20 0	16 0	13 3	1 8	1 9	8	M1 6	200	17	24	27.7
	100	175		378	6	22 0	18 0	15 8	1 8	2 0	8	M1 6	250	22	35	40.6
	125	200		405	7	25 0	21 0	18 4	1 8	2 2	8	M1 6	250	22	44	51.9
	150	225		457	8	28 5	24 0	21 2	2 2	2 2	8	M2 0	280	24	57	69.2

2.5	15	90	203	5	95	65	47	1 4	1 2	4	M1 2	30	8	7	5.2
	20	95	203	5	10 5	75	58	1 4	1 2	4	M1 2	30	8	7	5.6
	25	100	203	5	11 5	85	68	1 4	1 4	4	M1 2	30	8	7	6.4
	32	105	216	5	14 0	10 0	78	1 8	1 5	4	M1 6	100	9	9	8.5
	40	115	236	5	15 0	11 0	88	1 8	1 6	4	M1 6	120	11	11	10.4
	50	124	258	6	16 5	12 5	10 2	1 8	1 7	4	M1 6	140	12	14	14.1
	65	145	301	7	18 5	14 5	12 2	1 8	1 7	8	M1 6	160	14	18	19.8
	80	155	325	7	20 0	16 0	13 3	1 8	1 9	8	M1 6	200	17	24	27.9
	100	175	378	8	23 5	19 0	15 8	2 2	2 0	8	M2 0	250	22	35	41.2
	125	200	433	9	27 0	22 0	18 4	2 6	1 6	8	M2 4	280	24	44	62.1