

Jinbo Marine

Marine & Offshore Equipment Datasheet

PRODUCT DATASHEET

JIS MARINE ANGLE VALVE

Marine Bronze Angle Valve JIS F7302 5K

ISO9001 Supplier

Class Certificate

Export Supply

Design Standard: JIS F7302-1996 Test Standard: JIS F7400-1996 Test Pressure: Body-1.05Mpa, Seat-0.77Mpa Flange Size as per JIS B2220-5K *DN15-DN40 with screwed bonnet, DN50-DN65 with bolted bonnet...



Key Highlights

Category	JIS Marine Angle Valve
Standard	JIS
Material	Bronze
Weight / Size	Body-1.05Mpa, Seat-0.77Mpa Flange Size as per JIS B2220-5K *DN15-DN40 wi...
Certificate	CCS,BV, NK,DNV,GL, LR, ABS, RINA

We can supply according to your requirement, drawings, class certificate needs, and delivery schedule.

Technical Specifications

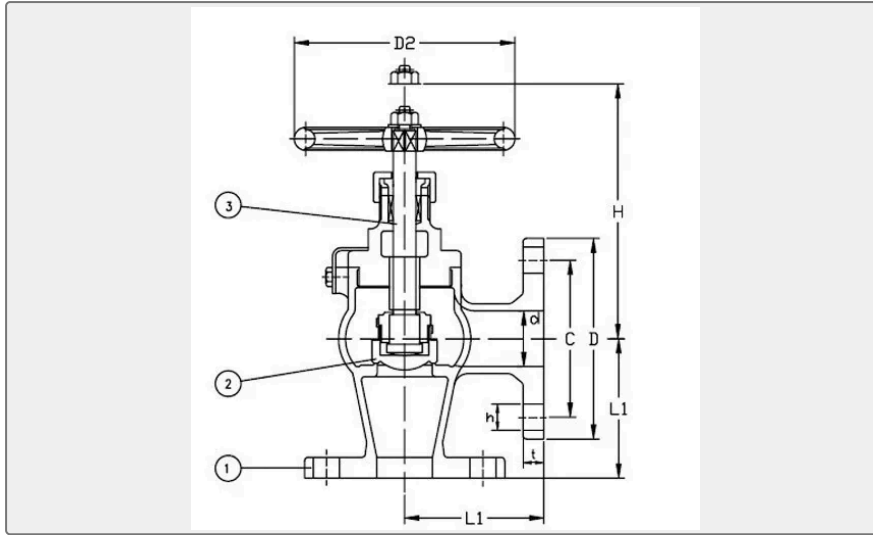
Category	JIS Marine Angle Valve	Model / SKU	Marine-Bronze-Angle-Valve-JIS-F7302-5K
Standard	JIS	Material	Bronze
Weight / Size	Body-1.05Mpa, Seat-0.77Mpa Flange Size as per JIS B2220-5K *DN15-DN40 with screwed bonnet, DN50-DN65 with bolted bonnet Main Material:	Certificate	CCS,BV, NK,DNV,GL, LR, ABS, RINA
Warranty	12 Months unless specified otherwise	Origin	China

CONTENTS

- China Marine Bronze Angle Valve JIS F7302 5K:
- Main Material:
- Main Size List(mm):

 0.041702s

China Marine Bronze Angle Valve JIS F7302 5K:



Design Standard: JIS F7302-1996

Test Standard: JIS F7400-1996

Test Pressure: Body-1.05Mpa, Seat-0.77Mpa

Flange Size as per JIS B2220-5K

*DN15-DN40 with screwed bonnet, DN50-DN65 with bolted bonnet

Main Material:

1-Body: Bronze (BC6)

2-Disc: Bronze (BC6)

3-Stem: Brass (C3771BD)

4-Bonnet: Bronze (BC6)

5-Handwheel: Cast Iron (FC200)

Main Size List(mm):

IMPA Code	Size	L1	D	C	No of Bolt Hole	h	t	H	D2
750131	15	55	80	60	4	12	9	120	80
750132	20	60	85	65	4	12	10	130	100
750133	25	65	95	75	4	12	10	145	125
750134	32	80	115	90	4	15	12	150	125
750135	40	85	120	95	4	15	12	165	140
750136	50	100	130	105	4	15	14	200	140
750137	65	115	155	130	4	15	14	220	160