

# Jinbo Marine

Marine &amp; Offshore Equipment Datasheet

PRODUCT DATASHEET

## JIS MARINE ANGLE VALVE

# Marine Bronze Angle Valve JIS F7304 16K

ISO9001 Supplier

Class Certificate

Export Supply

Design Standard: JIS F7304-1996 Test Standard: JIS 7400-1996 Hydraulic Test Pressure:  
Body- 3.3Mpa, Seat-2.42Mpa Flange size as per JIS B2220 - 16K Main Material: 1- Body:  
Bronze (BC6...



### Key Highlights

Category	JIS Marine Angle Valve
Standard	JIS
Material	Bronze, Brass
Weight / Size	Body- 3.3Mpa, Seat-2.42Mpa Flange size as per JIS B2220 - 16K Main Mater...
Certificate	CCS,BV,GL,NK,RINA,ABS,DN V,LR

We can supply according to your requirement, drawings, class certificate needs, and delivery schedule.

### Technical Specifications

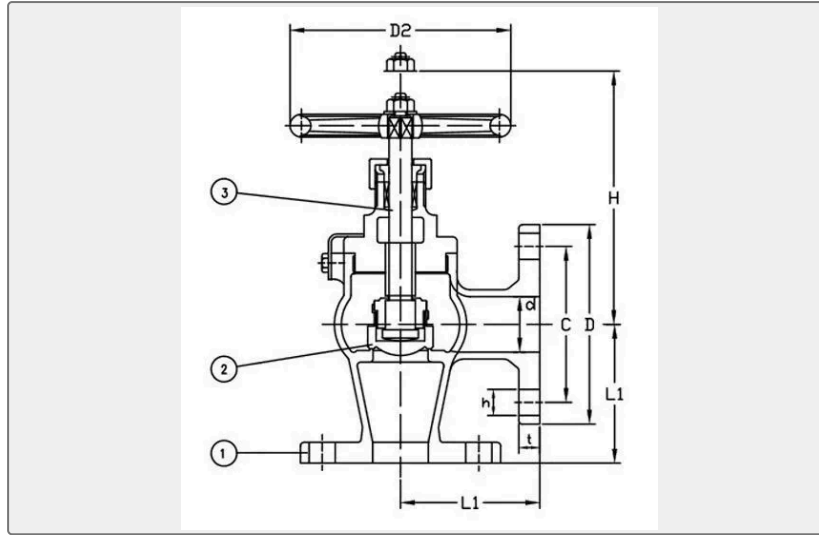
Category	JIS Marine Angle Valve	Model / SKU	Marine-Bronze-Angle-Valve-JIS-F7304-16K
Standard	JIS	Material	Bronze, Brass
Weight / Size	Body- 3.3Mpa, Seat-2.42Mpa Flange size as per JIS B2220 - 16K Main Material:	Certificate	CCS,BV,GL,NK,RINA,ABS,DNV,L R
Warranty	12 Months unless specified otherwise	Origin	China

#### CONTENTS

- China Marine Bronze Angle Valve JIS F7304 16K:
- Main Material:
- Main Size List(mm):



## China Marine Bronze Angle Valve JIS F7304 16K:



Design Standard: JIS F7304-1996

Test Standard: JIS 7400-1996

Hydraulic Test Pressure: Body- 3.3Mpa, Seat-2.42Mpa

Flange size as per JIS B2220 - 16K

### Main Material:

1- Body: Bronze (BC6) / Brass

2- Disc: Bronze (BC6) / Brass

3- Stem: Brass (C3771BD)

4- Bonnet: Bronze (BC6) / Brass

5-Handwheel: Cast Iron (FC200)

### Main Size List(mm):

IMPA CODE	Size	L	D	C	No. of Bolt	h	t	H	D2
750151	15	70	95	70	4	15	12	120	80
750152	20	75	100	75	4	15	14	125	100
750153	25	85	125	90	4	15	14	140	125
750154	32	95	135	100	4	15	16	145	125
750155	40	100	140	105	4	19	16	160	140