

Jinbo Marine

Marine & Offshore Equipment Datasheet

PRODUCT DATASHEET

JIS MARINE COCK

Marine Bronze Cock JIS F7387 S Type 16K

ISO9001 Supplier

Class Certificate

Export Supply

Design Standard: JIS F7387-1996 Test Standard: JIS 7400-1996 Hydraulic Test Pressure: DN6 & DN10: Body- 30KG, Plug-22KG DN15 & DN20: Body-24KG, Plug-17.6KG
Main Material: 1-Bod...



Key Highlights

Category	JIS Marine Cock
Standard	JIS
Material	Bronze
Weight / Size	Body- 30KG, Plug-22KG DN15 & DN20:
Certificate	CCS,BV,GL,NK,RINA,ABS,DN V,LR

We can supply according to your requirement, drawings, class certificate needs, and delivery schedule.

Technical Specifications

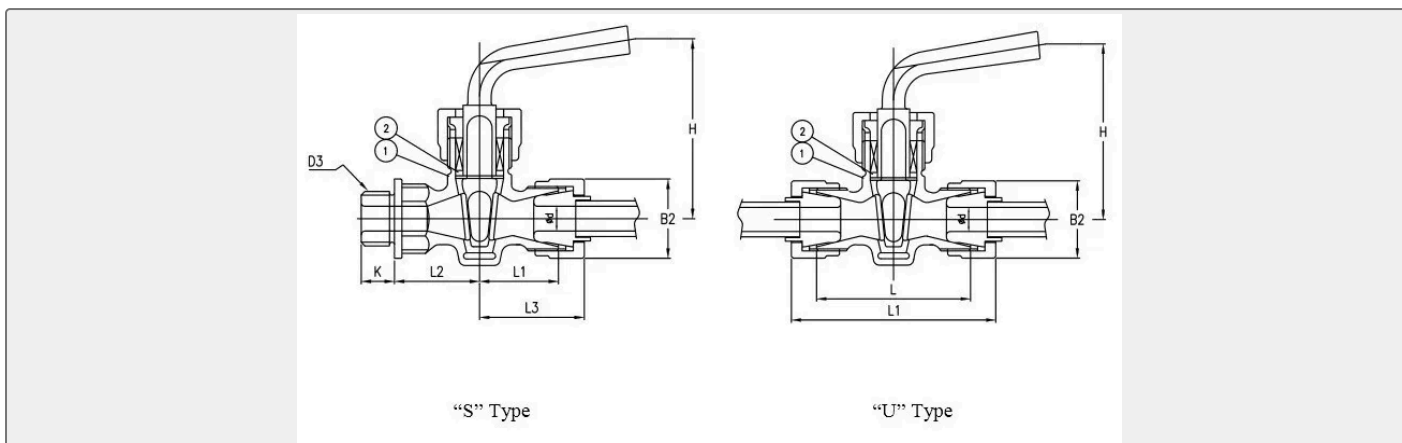
Category	JIS Marine Cock	Model / SKU	Marine-Bronze-Cock-JIS-F7387-S-Type-16K
Standard	JIS	Material	Bronze
Weight / Size	Body- 30KG, Plug-22KG DN15 & DN20:	Certificate	CCS,BV,GL,NK,RINA,ABS,DNV,LR
Warranty	12 Months unless specified otherwise	Origin	China

CONTENTS

- China Marine Bronze Cock JIS F7387 S Type 16K:
- Main Material:
- Main Size List(mm):



China Marine Bronze Cock JIS F7387 S Type 16K:



Design Standard: JIS F7387-1996

Test Standard: JIS 7400-1996

Hydraulic Test Pressure:

DN6 & DN10: Body- 30KG, Plug-22KG

DN15 & DN20: Body-24KG, Plug-17.6KG

Main Material:

1-Body: Bronze (BC6)

2-Plug: Bronze (BC6)

Main Size List(mm):

Type	IMPA	Size	Copper Pipe Outside Diameter	Steel Pipe Outside Diameter	L	L1	L2	L3	K	d3	B2	H	Weight(kg)
S type	756131	6A	8	10.5	—	28	28	37	12	M12*1.5	30	65	0.46
	756131		10	10.5	—	28	28	37	12	M12*1.5	30	65	0.46
	756132	10A	15	17.3	—	40	40	52	16	M24*2	41	73	0.85
	756133	15A	20	21.7	—	45	45	58	22	M30*2	46	92	1.46
	756134	20A	25	27.2	—	50	50	65	24	M36*2	50	104	2.09
U type	756135	6A	8	10.5	56	—	—	—	—	—	30	65	0.5
	756135		10	10.5	56	—	—	—	—	—	30	65	0.5
	756136	10A	15	17.3	80	—	—	—	—	—	41	73	1