

Jinbo Marine

Marine & Offshore Equipment Datasheet

PRODUCT DATASHEET

JIS MARINE COCK

Marine Bronze Cock JIS F7388 S Type 20K

ISO9001 Supplier

Class Certificate

Export Supply

Design Standard: JIS F7388-1996 Test Standard: JIS 7400-1996 Hydraulic Test Pressure:
Body- 42KG, Plug-30.8KG Pressure Rating Fluid Condition ...



Key Highlights

Category	JIS Marine Cock
Standard	JIS
Material	Bronze
Weight / Size	Body- 42KG, Plug-30.8KG Pressure Rating Fluid Condition Max.
Certificate	CCS,BV,GL,NK,RINA,ABS,DN V,LR

We can supply according to your requirement, drawings, class certificate needs, and delivery schedule.

Technical Specifications

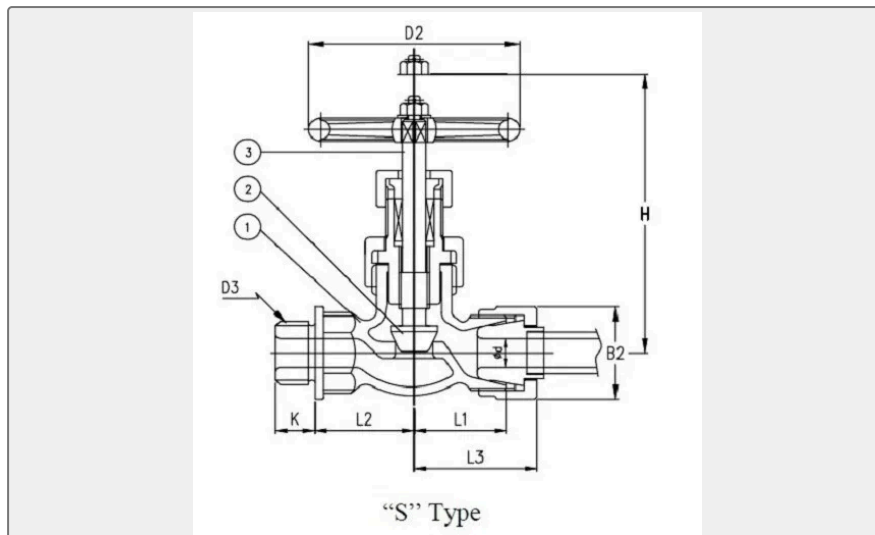
Category	JIS Marine Cock	Model / SKU	Marine-Bronze-Cock-JIS-F7388-S-Type-20K
Standard	JIS	Material	Bronze
Weight / Size	Body- 42KG, Plug-30.8KG Pressure Rating Fluid Condition Max.	Certificate	CCS,BV,GL,NK,RINA,ABS,DNV,L R
Warranty	12 Months unless specified otherwise	Origin	China

CONTENTS

- China Marine Bronze Cock JIS F7388 S Type 20K:
- Main Material:
- Main Size List(mm):



China Marine Bronze Cock JIS F7388 S Type 20K:



Design Standard: JIS F7388-1996

Test Standard: JIS 7400-1996

Hydraulic Test Pressure: Body- 42KG, Plug-30.8KG

Pressure Rating	
Fluid Condition	Max. working pressure Mpa (Kgf/cm ²)
steam of 205°C or less	1.57 (16)
air, gas, oil & pulsation water	1.96 (20)
non-shock water of 120°C or less	2.75 (28)

Main Material:

1-Body: Bronze (BC6)

2-Plug: Bronze (BC6)

3-Stem: Brass (C3771BD)

Main Size List(mm):

Type	IMPA	Size	Copper Pipe Outside Diameter	Steel Pipe Outside Diameter	L1	L2	L3	K	D3	H	B2	D2	Weight(kg)
S type (Screwed)	750551	6A	8	10.5	32	32	41	12	M20*1.5	100	30	63	0.81
	750551	6A	10	10.5	32	32	41	12	M20*1.5	100	30	63	0.81
	750552	10A	15	17.3	36	35	48	16	M24*2	115	41	80	1.22