

Jinbo Marine

Marine & Offshore Equipment Datasheet

PRODUCT DATASHEET

JIS MARINE COCK

Marine Bronze Cock JIS F7388 U Type 20K

ISO9001 Supplier

Class Certificate

Export Supply

Marine Bronze Cock JIS F7388U is marine bronze globe valve 20K. Design Standard: JIS F7388-1996 Test Standard: JIS 7400-1996 Nominal Pressure: 20KG Hydraulic Test Pressure: Body- 42KG, Plug-30.8KG...



Key Highlights

Category	JIS Marine Cock
Standard	JIS
Material	Bronze
Weight / Size	20KG Hydraulic Test Pressure:
Certificate	CCS,BV,GL,NK,RINA,ABS,DN V,LR

We can supply according to your requirement, drawings, class certificate needs, and delivery schedule.

Technical Specifications

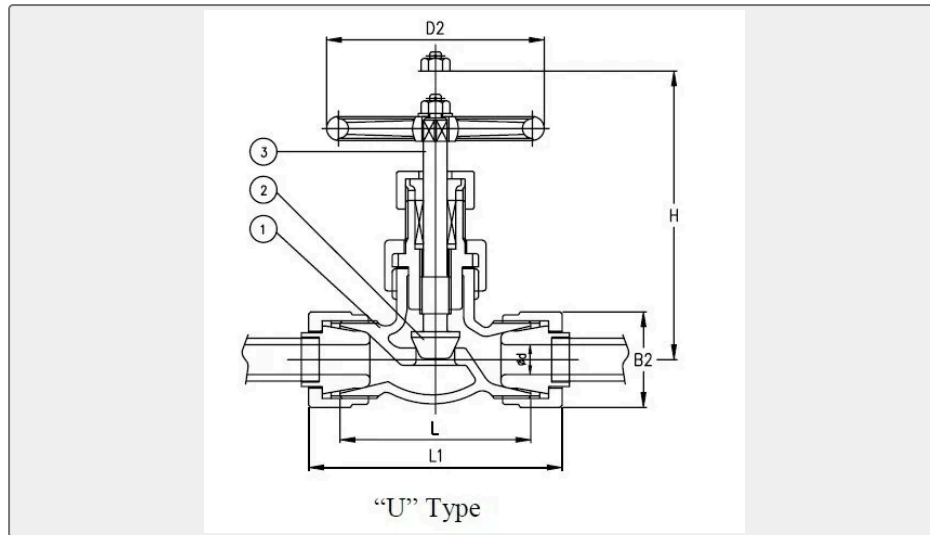
Category	JIS Marine Cock	Model / SKU	Marine-Bronze-Cock-JIS-F7388-U-Type-20K
Standard	JIS	Material	Bronze
Weight / Size	20KG Hydraulic Test Pressure:	Certificate	CCS,BV,GL,NK,RINA,ABS,DNV,LR
Warranty	12 Months unless specified otherwise	Origin	China

CONTENTS

- China Marine Bronze Cock JIS F7388 U Type 20K:
- Main Material:
- Main Size List(mm):



China Marine Bronze Cock JIS F7388 U Type 20K:



Marine Bronze Cock JIS F7388U is marine bronze globe valve 20K.

Design Standard: JIS F7388-1996

Test Standard: JIS 7400-1996

Nominal Pressure: 20KG

Hydraulic Test Pressure: Body- 42KG, Plug-30.8KG

Main Material:

1-Body: Bronze (BC6)

2-Plug: Bronze (BC6)

3-Stem: Brass (C3771BD)

Main Size List(mm):

Type	IMPA	Size	Copper Pipe Outside Diameter	Steel Pipe Outside Diameter	L	L1	H	B2	D2	Weight(kg)
U type	750556	6A	8	10.5	64	82	100	30	63	0.85
	750556	6A	10	10.5	64	82	100	30	63	0.85
	750557	10A	15	17.3	72	96	115	41	80	1.37