

## JIS MARINE QUICK CLOSING VALVE

## Marine Bronze Emergency Shut-Off Valve JIS F7399 5K

ISO9001 Supplier

Class Certificate

Export Supply

Marine Emergency Shut-Off Valve is also called as Marine Quick Closing Valve. It is used to shut off the fuel oil/lubrication oil pipeline in emergency. It can be controlled by lever or the air cylinder. Material can be cast...



### Key Highlights

Category	JIS Marine Quick Closing Valve
Standard	JIS
Material	Bronze, Brass
Weight / Size	JIS 7400-1996 Hydraulic Test Pressure: Body- 0.7Mpa, Seat- 0.2Mpa, Seal for...
Certificate	CCS, BV, GL, NK, RINA, ABS, DNV, LR

We can supply according to your requirement, drawings, class certificate needs, and delivery schedule.

### Technical Specifications

Category	JIS Marine Quick Closing Valve	Model / SKU	Marine-Bronze-Emergency-Shut-Off-Valve-JIS-F7399-5K
Standard	JIS	Material	Bronze, Brass
Weight / Size	JIS 7400-1996 Hydraulic Test Pressure: Body- 0.7Mpa, Seat- 0.2Mpa, Seal for quick closing- 0.1Mpa Flange size as per JIS B2220 - 5K Main Material:	Certificate	CCS, BV, GL, NK, RINA, ABS, DNV, LR
Warranty	12 Months unless specified otherwise	Origin	China

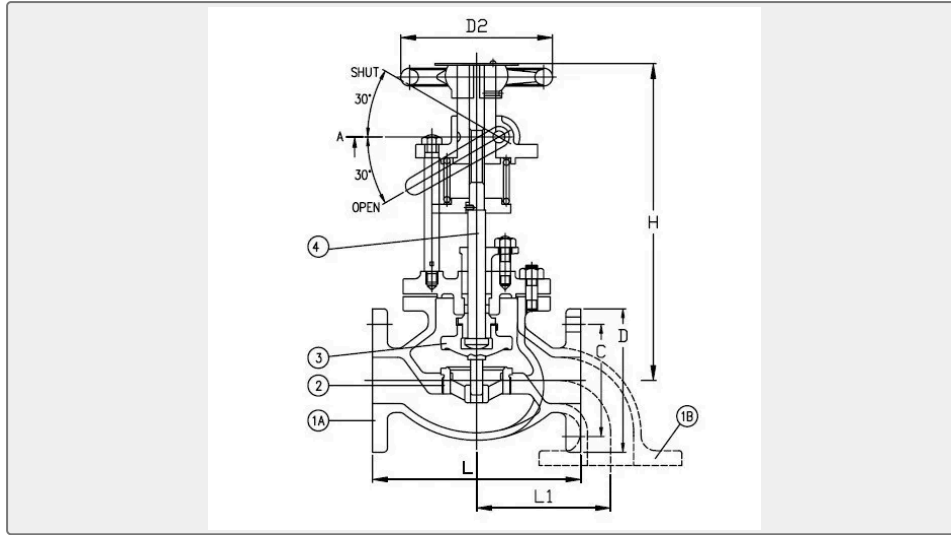
#### CONTENTS

- China Marine Bronze Emergency Shut-Off Valve JIS F7399 5K:
- Main Material:
- Main Size List(mm):



0.036183s

## China Marine Bronze Emergency Shut-Off Valve JIS F7399 5K:



Marine Emergency Shut-Off Valve is also called as Marine Quick Closing Valve. It is used to shut off the fuel oil/lubrication oil pipeline in emergency. It can be controlled by lever or the air cylinder. Material can be cast steel, bronze, nodular iron.

Operation type: Manual (Lever) or Pneumatically operated

Design Standard: JIS F7399-1996

Test Standard: JIS 7400-1996

Hydraulic Test Pressure: Body- 0.7Mpa, Seat-0.2Mpa, Seal for quick closing-0.1Mpa

Flange size as per JIS B2220 - 5K

### Main Material:

Body: Bronze or Brass

Bonnet: Bronze or Brass

Seat: Bronze or Brass

Disc: Bronze or Brass

Stem: Brass (C3771BD)

Operation Spindle: SUS403

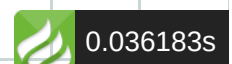
Operation Lever: SUS403

Handwheel: FC200 (Cast iron)

Gasket: non-asbestos

### Main Size List(mm):

DN	d	L	D	C	Bolt Hole NO.	Bolt Hole Diameter	Flange thickness	H	D2
5K15	15	100	80	60	4	12	10	265	120
5K20	20	110	85	65	4	12	10		



5K25	25	120	95	75	4	12	10	265	120
5K40	40	160	120	95	4	15	12	310	140
5K50	50	210	130	105	4	15	14	335	160
5K65	65	250	155	130	4	15	14	395	180
5K80	80	280	180	145	4	19	18	420	180
10K15	15	110	95	70	4	15	12	265	120
10K20	20	120	100	75	4	15	14	265	120
10K25	25	130	125	90	4	19	14	265	120
10K40	40	180	140	105	4	19	16	310	140
10K50	50	220	155	120	4	19	16	335	160
10K65	65	270	175	140	4	19	18	395	180
10K80	80	300	185	150	8	19	18	420	180