

Jinbo Marine

Marine & Offshore Equipment Datasheet

PRODUCT DATASHEET

JIS MARINE CHECK VALVE

Marine Bronze Female Thread Globe Lift Check Valve CB/T310-1999

ISO9001 Supplier

Class Certificate

Export Supply

Marine Bronze Female Thread Globe Lift Check Valve is used to prevent the back flow of medium. Design Standard: CB/T310-1999 Test Standard: GB600 Nominal Pressure: 1.6Mpa
Applicable Medium: sea wa...



Key Highlights

Category	JIS Marine Check Valve
Standard	GB
Material	Bronze
Weight / Size	Body-Bronze Cover-Bronze Disc-Bronze Main Size(mm):
Certificate	CCS, BV, ABS, GL, LR, DNV, NK,RINA, KR,IRS

We can supply according to your requirement, drawings, class certificate needs, and delivery schedule.

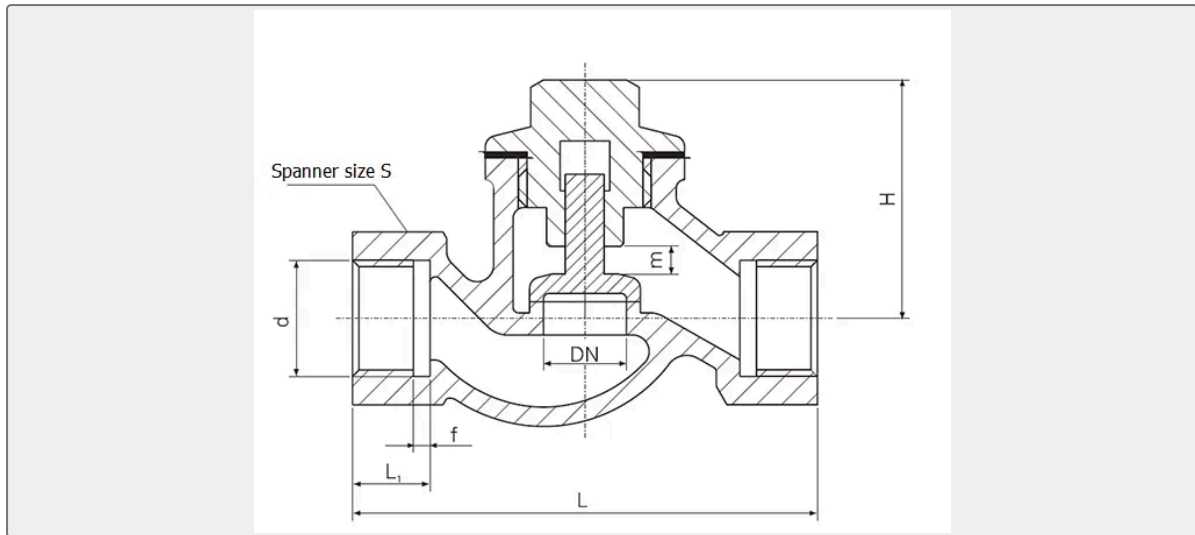
Technical Specifications

Category	JIS Marine Check Valve	Model / SKU	Marine-Bronze-Female-Thread-Globe-Lift-Check-Valve-CB-T310-1999
Standard	GB	Material	Bronze
Weight / Size	Body-Bronze Cover-Bronze Disc-Bronze Main Size(mm):	Certificate	CCS, BV, ABS, GL, LR, DNV, NK,RINA, KR,IRS
Warranty	12 Months unless specified otherwise	Origin	China

CONTENTS

- China Marine Bronze Female Thread Globe Lift Check Valve CB/T310-1999:
- Main Parts & Material:
- Main Size(mm):

China Marine Bronze Female Thread Globe Lift Check Valve CB/T310-1999:



Marine Bronze Female Thread Globe Lift Check Valve is used to prevent the back flow of medium.

Design Standard: CB/T310-1999

Test Standard: GB600

Nominal Pressure: 1.6Mpa

Applicable Medium: sea water, fresh water, lubricating oil, fuel oil, $t \leq 250^{\circ}\text{C}$ steam.

Main Parts & Material:

Body-Bronze

Cover-Bronze

Disc-Bronze

Main Size(mm):

nominal diameter	Structure Dimension		thread joint dimension				lift m	Weight(kg)
	L	H	d	l	f	s		
15	84	46	G 1/2	14	3	27	5	0.25
20	95	52	G 3/4	16	3	32	6	0.6
25	110	57	G1	18	4	41	7	0.85
32	130	64	G 1-1/4	20	4	50	9	1.49
40	150	72	G 1-1/2	22	4	60	12	2.26
50	180	80	G2	24	4	70	15	3.2