

Jinbo Marine

Marine & Offshore Equipment Datasheet

PRODUCT DATASHEET

GB MARINE GLOBE VALVE

Marine Bronze Female Thread Globe Valve CB/T309-1999

ISO9001 Supplier

Class Certificate

Export Supply

It is suitable for the pipe system of sea water, fresh water, lubrication oil, and steam not over 250°C. There are two types, Type A is straight, Type B is angle. Design Standard: CB/T309-1999 Nominal Pressure:...



Key Highlights

Category	GB Marine Globe Valve
Standard	GB
Material	Bronze
Weight / Size	GB600 Flange size as per GB569,GB2501 Main Material:
Certificate	CCS, BV, ABS, GL, LR, DNV, NK,RINA, KR,IRS

We can supply according to your requirement, drawings, class certificate needs, and delivery schedule.

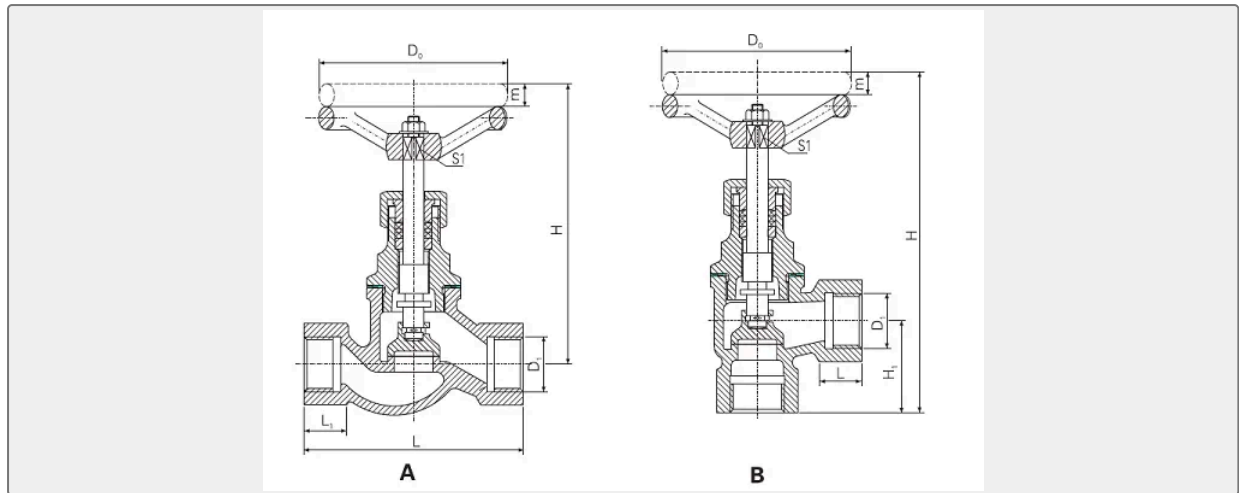
Technical Specifications

Category	GB Marine Globe Valve	Model / SKU	Marine-Bronze-Female-Thread-Globe-Valve-CB-T309-1999
Standard	GB	Material	Bronze
Weight / Size	GB600 Flange size as per GB569,GB2501 Main Material:	Certificate	CCS, BV, ABS, GL, LR, DNV, NK,RINA, KR,IRS
Warranty	12 Months unless specified otherwise	Origin	China

CONTENTS

- China Marine Bronze Female Thread Globe Valve CB/T309-1999:
- Main Size List(mm):
- Main Material:

China Marine Bronze Female Thread Globe Valve CB/T309-1999:



It is suitable for the pipe system of sea water, fresh water, lubrication oil, and steam not over 250°C. There are two types, Type A is straight, Type B is angle.

Design Standard: CB/T309-1999

Nominal Pressure: 1.6Mpa

Test Standard: GB600

Flange size as per GB569,GB2501

Main Material:

Body-Bronze

Bonnet-Bronze

Disc-Bronze

Stem-Bronze

Main Size List(mm):

nominal diameter	Structure Dimension					thread dimension					lift m	Weight(kg)	
	L		H		H1	D1	S	L1	D0	S1		Type A	Type B
	Type A	Type B	Type A	Type B									
6	65	-	86	-	-	G1/4	19	10	50	6	5	0.35	-
10	75	-	88	-	-	G3/8	22	12	50	6	5	0.44	-
15	84	35	100	125	35	G1/2	27	14	50	6	6	0.56	0.53
20	95	40	112	143	40	G3/4	36	16	65	7	7	0.9	0.91
25	110	45	125	158	45	G1	41	18	80	8	8	1.26	1.26
32	130	54	139	176	54	G1-1/4	50	20	80	8	8	2.02	2.02
40	150	65	155	220	65	G1-1/2	60	22	120	11	14	2.93	2.93
50	180	80	175	283	80	G2	70	24	120	11	15	4.37	3.83