

## GB MARINE COCK

## Marine Bronze Flange Packed Cock GB/T593-93

ISO9001 Supplier

Class Certificate

Export Supply

Marine Flange Packed Cock also also can be called as marine plug valve. A/A S is two way cock, L/LS, T/T S is three way cock. Design Standard: GB/T593-93, CBM1080-81 Test Standard:GB600 Flange size as per...



### Key Highlights

|               |   |
|---------------|---|
| Category      | GB Marine Cock  |
| Standard      | GB  |
| Material      | Bronze  |
| Weight / Size | GB/T593-93, CBM1080-81 Test Standard:GB600 Flange size as per GB569 or G... |
| Certificate   | CCS, BV, ABS, GL, LR, DNV, NK,RINA, KR,IRS                                  |

We can supply according to your requirement, drawings, class certificate needs, and delivery schedule.

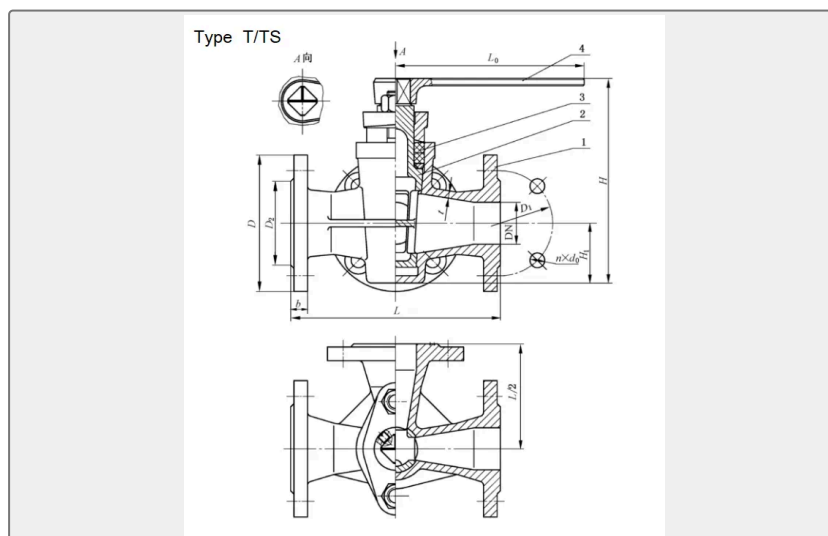
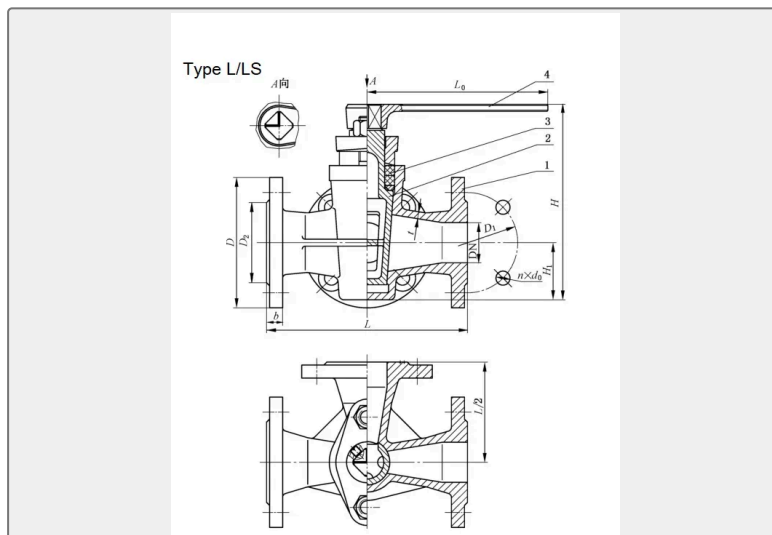
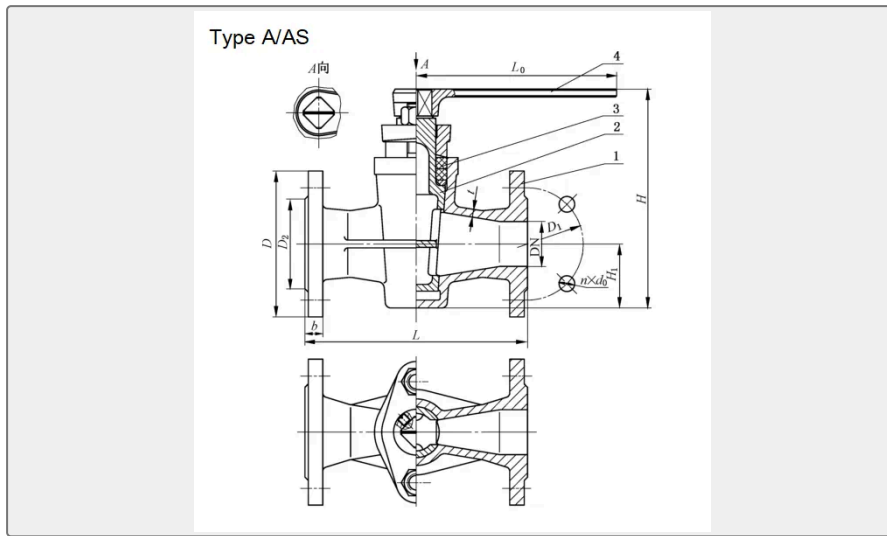
### Technical Specifications

|               |  |             |   |
|---------------|--|-------------|---|
| Category      | GB Marine Cock   | Model / SKU | Marine-Bronze-Flange-Packed-Cock-GB-T593-93 |
| Standard      | GB   | Material    | Bronze                                      |
| Weight / Size | GB/T593-93, CBM1080-81 Test Standard:GB600 Flange size as per GB569 or GB2501 Nominal Pressure (Mpa) Nominal Diameter (mm) Applicable Medium 0.6 20~80 sea water, fresh water,lubrication oil, fuel oil Main Material: | Certificate | CCS, BV, ABS, GL, LR, DNV, NK,RINA, KR,IRS  |
| Warranty      | 12 Months unless specified otherwise   | Origin      | China                                       |

**CONTENTS**

- China Marine Bronze Flange Packed Cock GB/T593-93:    ■ Main Material:
- Main Size List(mm):

**China Marine Bronze Flange Packed Cock GB/T593-93:**



Marine Flange Packed Cock also also can be called as marine plug valve. A/AS is two way cock, L/LS, T/TS is three way cock.

Design Standard: GB/T593-93, CBM1080-81

Test Standard:GB600

Flange size as per GB569 or GB2501

| Nominal Pressure (Mpa) | Nominal Diameter (mm) | Applicable Medium                                |
|------------------------|-----------------------|--|
| 0.6                    | 20~80                 | sea water, fresh water,lubrication oil, fuel oil |

## Main Material:

Body-Bronze (ZCuSn10Zn2 or ZCuSn5Pb5Zn5)

Bonnet-Bronze (ZCuSn10Zn2 or ZCuSn5Pb5Zn5)

## Main Size List(mm):

Type A, L, T:

| DN (mm) | Structure Dimension |             |    | Thickness $\delta$ | Flange |     |     |    |    | Bolt |     | handle L0 | Weight(kg) |        |        |
|---------|---------------------|-------------|----|--------------------|--------|-----|-----|----|----|------|-----|-----------|------------|--------|--------|
|         | L                   | H $\approx$ | H1 |                    | D      | D1  | D2  | d0 | b  | n    | Th  |           | Type A     | Type L | Type T |
| 20      | 145                 | 139         | 40 | 4                  | 95     | 68  | 48  | 13 | 12 | 4    | M12 | 125       | 3.0        | 3.5    | 3.4    |
| 25      | 155                 | 149         | 41 | 4                  | 105    | 73  | 56  | 13 | 13 | 4    | M12 | 140       | 3.7        | 4.2    | 4.1    |
| 32      | 165                 | 168         | 48 | 5                  | 115    | 83  | 64  | 15 | 13 | 6    | M14 | 160       | 4.6        | 5.3    | 5.2    |
| 40      | 190                 | 192         | 56 | 5                  | 125    | 93  | 74  | 15 | 14 | 6    | M14 | 180       | 6.9        | 8.6    | 8.5    |
| 50      | 205                 | 243         | 65 | 5                  | 135    | 103 | 84  | 15 | 14 | 6    | M14 | 230       | 9.7        | 11.4   | 11.3   |
| 65      | 225                 | 285         | 80 | 6                  | 155    | 123 | 104 | 15 | 14 | 6    | M14 | 250       | 12.4       | 15.6   | 15.4   |
| 80      | 245                 | 324         | 96 | 6                  | 170    | 138 | 118 | 15 | 14 | 6    | M14 | 320       | 18.8       | 21.6   | 21.2   |

Type AS,LS,TS:

| DN (mm) | Structure Dimension |             |    | Thickness $\delta$ | Flange |     |    |    |    | Bolt |     | handle L0 | Weight(kg) |         |         |
|---------|---------------------|-------------|----|--------------------|--------|-----|----|----|----|------|-----|-----------|------------|---------|---------|
|         | L                   | H $\approx$ | H1 |                    | D      | D1  | D2 | d0 | b  | n    | Th  |           | Type AS    | Type LS | Type TS |
| 20      | 150                 | 139         | 40 | 4                  | 90     | 65  | 50 | 11 | 12 | 4    | M10 | 125       | 3.0        | 3.5     | 3.4     |
| 25      | 160                 | 149         | 41 | 4                  | 100    | 75  | 60 | 11 | 14 | 4    | M10 | 140       | 3.7        | 4.2     | 4.1     |
| 32      | 180                 | 168         | 48 | 5                  | 120    | 90  | 70 | 14 | 15 | 4    | M12 | 160       | 5.0        | 5.9     | 5.8     |
| 40      | 200                 | 192         | 56 | 5                  | 130    | 100 | 80 | 14 | 16 | 4    | M12 | 180       | 7.5        | 9.4     | 9.3     |



|    |     |     |    |   |         |         |         |        |        |   |         |     |      |      |      |
|----|-----|-----|----|---|---------|---------|---------|--------|--------|---|---------|-----|------|------|------|
| 50 | 230 | 243 | 65 | 5 | 14<br>0 | 110     | 90      | 1<br>4 | 1<br>7 | 4 | M1<br>2 | 230 | 10.7 | 12.6 | 12.5 |
| 65 | 290 | 285 | 80 | 6 | 16<br>0 | 13<br>0 | 110     | 1<br>4 | 1<br>7 | 4 | M1<br>2 | 250 | 13.6 | 17.1 | 16.9 |
| 80 | 310 | 324 | 96 | 6 | 19<br>0 | 15<br>0 | 12<br>8 | 1<br>8 | 1<br>9 | 4 | M1<br>6 | 320 | 20.3 | 23.6 | 23.3 |