

Jinbo Marine

Marine & Offshore Equipment Datasheet

PRODUCT DATASHEET

JIS MARINE DRAIN VALVE

Marine Bronze Fuel Oil Tank Self-Closing Drain Valve JIS F7398F

ISO9001 Supplier

Class Certificate

Export Supply

Marine Bronze Fuel oil Tank Self-Closing Drain Valve JIS F7398 has two types, U type and F type. The pressure can be 5K or 10k, and the operation type can be lever or push button.

Design Standard: JIS F7398-1996 ...



Key Highlights

Category	JIS Marine Drain Valve
Standard	JIS
Material	Bronze
Weight / Size	Body-0.15Mpa, Seal-0.11Mpa Flange size as per JIS B2220 - 5K or 10K Main...
Certificate	CCS, BV, ABS, GL, LR, DNV, NK,RINA

We can supply according to your requirement, drawings, class certificate needs, and delivery schedule.

Technical Specifications

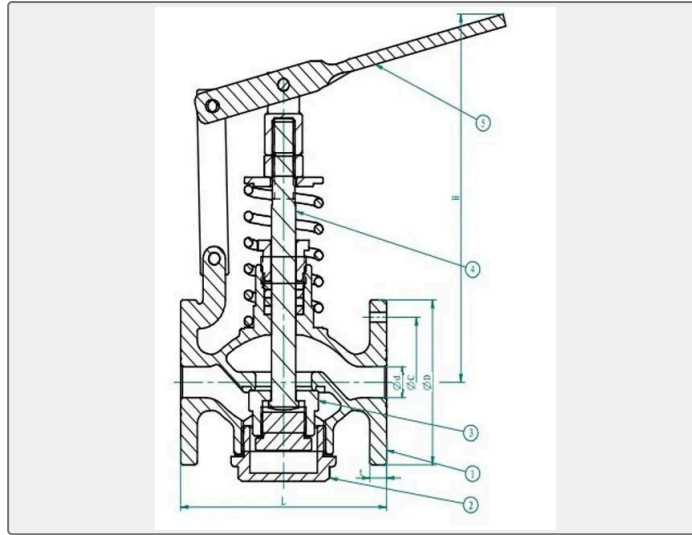
Category	JIS Marine Drain Valve	Model / SKU	Marine-Bronze-Fuel-Oil-Tank-Self-Closing-Drain-Valve-JIS-F7398F
Standard	JIS	Material	Bronze
Weight / Size	Body-0.15Mpa, Seal-0.11Mpa Flange size as per JIS B2220 - 5K or 10K Main Material:	Certificate	CCS, BV, ABS, GL, LR, DNV, NK,RINA
Warranty	12 Months unless specified otherwise	Origin	China

CONTENTS

- China Marine Bronze Fuel Oil Tank Self-Closing Drain Valve JIS F7398F:
- Main Size List(mm):
- Main Material:


 0.040069s

China Marine Bronze Fuel Oil Tank Self-Closing Drain Valve JIS F7398F:



Marine Bronze Fuel oil Tank Self-Closing Drain Valve JIS F7398 has two types, U type and F type. The pressure can be 5K or 10k, and the operation type can be lever or push button.

Design Standard: JIS F7398-1996

Test Standard: JIS 7400-1996

Hydraulic Test Pressure: Body-0.15Mpa, Seal-0.11Mpa

Flange size as per JIS B2220 - 5K or 10K

Main Material:

- 1.Body: Bronze (BC6)
- 2.Bonnet: Bronze (BC6)
- 3.Disc: Bronze (BC6)
- 4.Stem: Brass (C3771BD)
5. Gasket: non-asbestos

Main Size List(mm):

DN	d	L	D	C	NO.	h	t	H
5K15F	15	110/120	80	60	4	12	9	179
5K20F	20	130	85	65	4	12	10	187
5K25F	25	130	95	75	4	12	10	210
5K40F	40	180	120	95	4	15	12	229
10K20F	20	130	100	75	4	15	14	187