

Jinbo Marine

Marine & Offshore Equipment Datasheet

PRODUCT DATASHEET

JIS MARINE DRAIN VALVE

Marine Bronze Fuel Oil Tank Self-Closing Drain Valve JIS F7398U 10K

ISO9001 Supplier

Class Certificate

Export Supply

Marine Bronze Fuel Oil Tank Self-Closing Drain Valve is spring loaded valve, used on the marine fuel oil pipe system. Design Standard: JIS F7398-1996 Test Standard: JIS 7400-1996 Hydraulic Test Pressure...



Key Highlights

Category	JIS Marine Drain Valve
Standard	JIS
Material	Bronze
Weight / Size	Body-0.15Mpa, Seal-0.11Mpa Flange size as per JIS B2220 - 10K Main Mater...
Certificate	CCS,BV,GL,NK,RINA,ABS,DN V,LR

We can supply according to your requirement, drawings, class certificate needs, and delivery schedule.

Technical Specifications

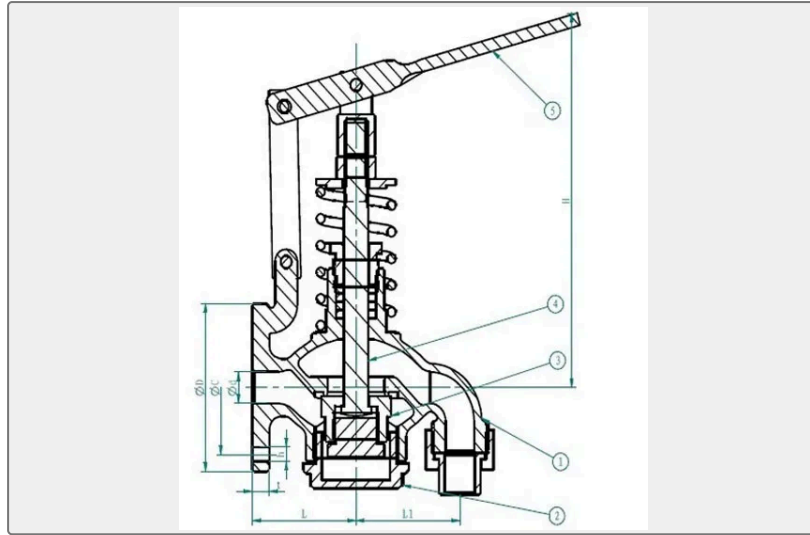
Category	JIS Marine Drain Valve	Model / SKU	Marine-Bronze-Fuel-Oil-Tank-Self-Closing-Drain-Valve-JIS-F7398U-10K
Standard	JIS	Material	Bronze
Weight / Size	Body-0.15Mpa, Seal-0.11Mpa Flange size as per JIS B2220 - 10K Main Material:	Certificate	CCS,BV,GL,NK,RINA,ABS,DNV,LR
Warranty	12 Months unless specified otherwise	Origin	China

CONTENTS

- China Marine Bronze Fuel Oil Tank Self-Closing Drain Valve JIS F7398U 10K:
- Main Material:
- Main Size List(mm):

 0.042985s

China Marine Bronze Fuel Oil Tank Self-Closing Drain Valve JIS F7398U 10K:



Marine Bronze Fuel Oil Tank Self-Closing Drain Valve is spring loaded valve, used on the marine fuel oil pipe system.

Design Standard: JIS F7398-1996

Test Standard: JIS 7400-1996

Hydraulic Test Pressure: Body-0.15Mpa, Seal-0.11Mpa

Flange size as per JIS B2220 - 10K

Main Material:

- 1.Body: Bronze (BC6)
- 2.Bonnet: Bronze (BC6)
- 3.Disc: Bronze (BC6)
- 4.Stem: Brass (C3771BD)
- 5.Lever: SS400
6. Gasket: non-asbestos

Main Size List(mm):

DN	d	L	L1	D	C	NO.	h	t	H
10K15U	15	55	55	95	70	4	15	12	179
10K20U	20	65	65	100	75	4	15	14	187
10K25U	25	65	65	125	90	4	19	14	187
10K40U	40	90	100	140	105	4	19	16	229
10K50U	50	115	130	155	120	4	19	16	252
10K65U	65	135	155	175	140	4	19	18	252