

Jinbo Marine

Marine & Offshore Equipment Datasheet

PRODUCT DATASHEET

JIS MARINE DRAIN VALVE

Marine Bronze Fuel oil Tank Self-Closing Drain Valve JIS F7398 U type

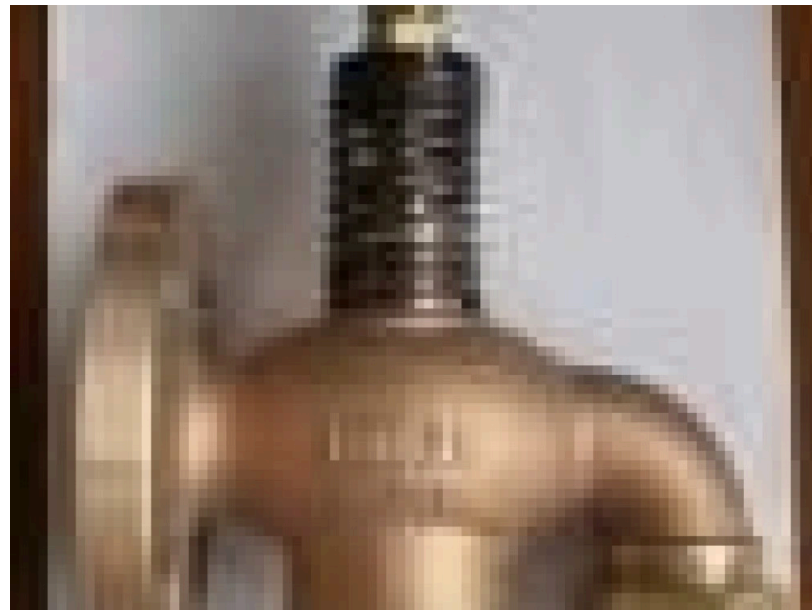
ISO9001 Supplier

Class Certificate

Export Supply

Marine Bronze Fuel oil Tank Self-Closing Drain Valve JIS F7398 has two types, U type and F type. The pressure can be 5K or 10k, and the operation type can be lever or push button.

Design Standard: JIS F7398-1996 ...



Key Highlights

Category	JIS Marine Drain Valve
Standard	JIS
Material	Bronze
Weight / Size	Body-0.15Mpa, Seal-0.11Mpa Flange size as per JIS B2220 - 5K or 10K Main...
Certificate	CCS,BV,DNV,GL,LR, ABS, RINA

We can supply according to your requirement, drawings, class certificate needs, and delivery schedule.

Technical Specifications

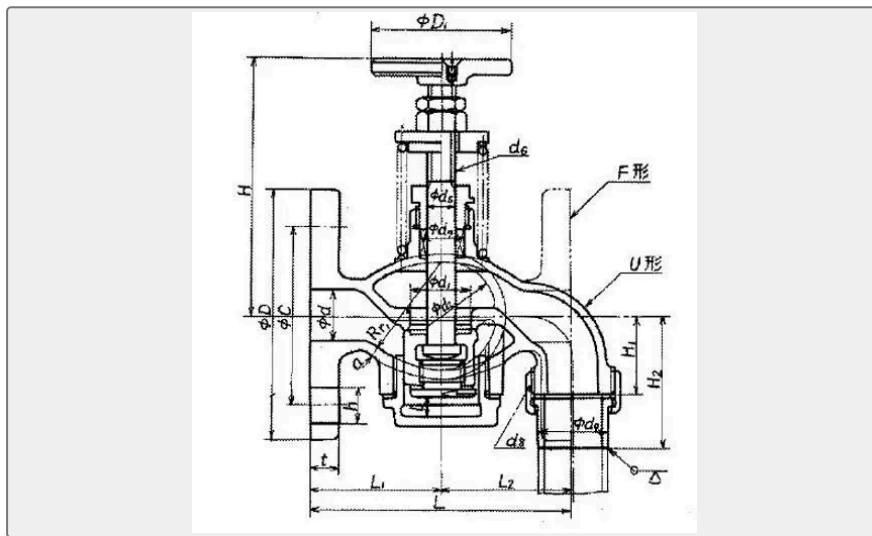
Category	JIS Marine Drain Valve	Model / SKU	Marine-Bronze-Fuel-oil-Tank-Self-Closing-Drain-Valve-JIS-F7398-U-type
Standard	JIS	Material	Bronze
Weight / Size	Body-0.15Mpa, Seal-0.11Mpa Flange size as per JIS B2220 - 5K or 10K Main Material:	Certificate	CCS,BV,DNV,GL,LR, ABS, RINA
Warranty	12 Months unless specified otherwise	Origin	China

CONTENTS

- China Marine Bronze Fuel oil Tank Self-Closing Drain Valve JIS F7398 U type:
- Main Size List(mm):
- Main Material:


 0.041826s

China Marine Bronze Fuel oil Tank Self-Closing Drain Valve JIS F7398 U type:



Marine Bronze Fuel oil Tank Self-Closing Drain Valve JIS F7398 has two types, U type and F type. The pressure can be 5K or 10k, and the operation type can be lever or push button.

Design Standard: JIS F7398-1996

Test Standard: JIS 7400-1996

Hydraulic Test Pressure: Body-0.15Mpa, Seal-0.11Mpa

Flange size as per JIS B2220 - 5K or 10K

Main Material:

- 1.Body: Bronze (BC6)
- 2.Bonnet: Bronze (BC6)
- 3.Disc: Bronze (BC6)
- 4.Stem: Brass (C3771BD)
5. Gasket: non-asbestos

Main Size List(mm):

DN	d	L1	L2	D	C	NO.	h	t
5K15U	15	55	55	80	60	4	12	9
5K20U	20	65	65	85	65	4	12	10
5K25U	25	65	65	95	75	4	12	10
5K40U	40	90	100	120	95	4	15	12
5K50U	50	115	130	130	105	4	15	14
5K65U	65	135	155	155	130	4	15	14
10K15U	15	55	55	95	70	4	15	12
10K20U	20	65	65	100	75	4	15	14
10K25U	25	65	65	125	90	4	19	14
10K40U	40	90	100	140	105	4	19	16
10K50U	50	115	130	155	120	4	19	16
10K65U	65	135	155	175	140	4	19	18