

Jinbo Marine

Marine & Offshore Equipment Datasheet

PRODUCT DATASHEET

CB MARINE GATE VALVE

Marine Bronze Gate Valve CB/T467-1995

ISO9001 Supplier

Class Certificate

Export Supply

Marine bronze gate valve is used on the pipe system for sea water, fresh water and oil.
Design Standard: CB/T467-1995 Test Standard: GB600 Flange Size as per GB569 or GB2501 ...



Key Highlights

Category	CB Marine Gate Valve
Standard	GB
Material	Bronze
Weight / Size	GB600 Flange Size as per GB569 or GB2501 Type Nominal Pressure (Mpa) Nom...
Certificate	CCS, BV, ABS, GL, LR, DNV, NK, RINA, KR, IRS

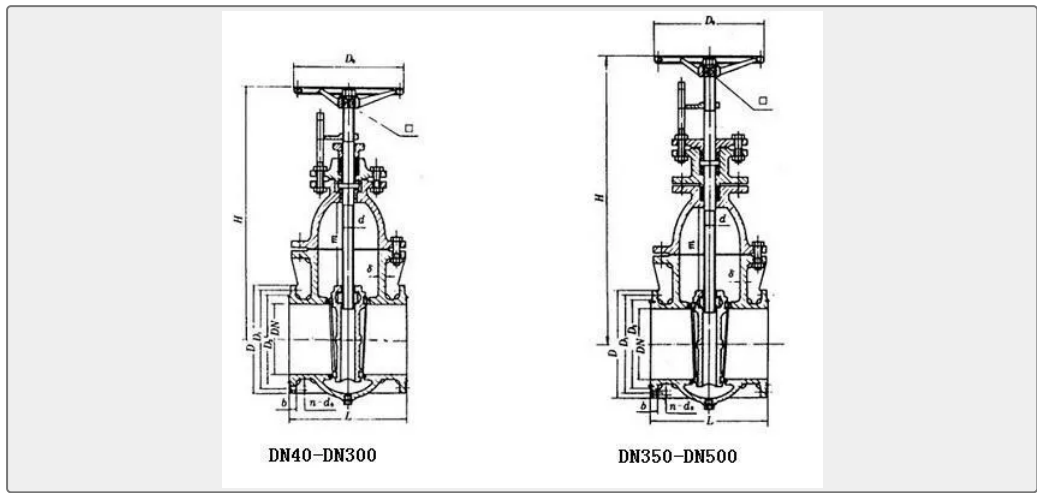
We can supply according to your requirement, drawings, class certificate needs, and delivery schedule.

Technical Specifications

Category	CB Marine Gate Valve	Model / SKU	Marine-Bronze-Gate-Valve-CB-T467-1995
Standard	GB	Material	Bronze
Weight / Size	GB600 Flange Size as per GB569 or GB2501 Type Nominal Pressure (Mpa) Nominal Diameter (mm) Applicable medium A- AS 0.6 40 ~ 150 sea water, fresh water, oil 0.4 175 ~ 300 0.25 350 ~ 500 Main Parts & Material:	Certificate	CCS, BV, ABS, GL, LR, DNV, NK, RINA, KR, IRS
Warranty	12 Months unless specified otherwise	Origin	China

CONTENTS	■ China Marine Bronze Gate Valve CB/T467-1995:	■ Main Parts & Material:
	■ Main Size List(mm):	

China Marine Bronze Gate Valve CB/T467-1995:



Marine bronze gate valve is used on the pipe system for sea water, fresh water and oil.

Design Standard: CB/T467-1995

Test Standard: GB600

Flange Size as per GB569 or GB2501

Type	Nominal Pressure (Mpa)	Nominal Diameter (mm)	Applicable medium
A、 AS	0.6	40 ~ 150	sea water, fresh water, oil
	0.4	175 ~ 300	
	0.25	350 ~ 500	

Main Parts & Material:

Body-Bronze

Bonnet-Bronze

Disc-Bronze

Stem-Bronze

Nut-Bronze

Main Size List(mm):

For Type A:

PN MP a	DN (mm)	Structure Dimension		Flange					Bolt		stem		hand wheel D0	Lift Range m	Weigh t (kg)	
		L≈	H≈	D	D1	D2	b	d 0	n	Th.	d	□				

0.6	40	170	330	12 5	93	74	1 3	1 5	6	M1 4	Tr20×8(P4)LH	1 4	160	48	15
	50	190	340	13 5	10 3	84	1 3	1 5	6	M1 4	Tr22×10(P5)L H	1 4	180	60	18
	65	200	372	15 5	12 3	10 4	1 4	1 5	6	M1 4	Tr22×10(P5)L H	1 4	180	75	20
	80	220	430	17 0	13 8	116	1 4	1 5	8	M1 4	Tr24×10(P5)L H	1 7	200	92	25
	100	220	460	19 0	15 8	13 8	1 4	1 5	8	M1 4	Tr24×10(P5)L H	1 7	200	112	28
	125	242	528	21 5	18 3	16 4	1 4	1 5	1 0	M1 4	Tr26×10(P5)L H	1 9	225	138	41
	150	248	566	24 0	20 8	19 0	1 4	1 5	1 2	M1 4	Tr26×10(P5)L H	1 9	225	165	51
0.4	175	268	630	27 0	23 6	22 1	1 5	1 5	1 2	M1 4	Tr28×10(P5)L H	2 2	250	190	70
	200	278	685	29 5	26 4	24 7	1 5	1 5	1 2	M1 4	Tr28×10(P5)L H	2 2	250	215	80
	250	310	755	36 5	32 7	30 6	1 6	1 7	1 4	M1 6	Tr30×12(P6)L H	2 4	280	265	111
	300	345	835	43 0	38 6	36 0	1 9	2 1	1 4	M2 0	Tr30×12(P6)L H	2 4	280	315	134
0.25	350	400	954	48 0	43 6	41 0	2 0	2 1	1 6	M2 0	Tr36×12(P6)L H	2 7	320	365	226
	400	430	1045	53 0	48 6	46 0	2 1	2 1	1 6	M2 0	Tr36×12(P6)L H	2 7	360	418	274

For Type AS:

PN MP a	DN (mm)	Structure Dimension		Flange					Bolt		stem		hand wheel D0	Lift Range m	Weigh t (kg)	
		L≈	H≈	D	D1	D2	b	d 0	n	Th.	d	□				

0.6	40	165	330	130	100	80	16	14	4	M12	Tr20×8(P4)LH	14	160	48	17
	50	178	340	140	110	90	16	14	4	M12	Tr22×10(P5)LH	14	180	60	21
	65	190	372	160	130	110	16	14	4	M12	Tr22×10(P5)LH	14	180	75	25
	80	203	430	190	150	128	18	18	4	M16	Tr24×10(P5)LH	17	200	92	36
	100	229	460	210	170	148	18	18	4	M16	Tr24×10(P5)LH	17	200	112	44
	125	254	528	240	200	178	20	18	8	M16	Tr26×10(P5)LH	19	225	138	66
	150	267	566	265	225	202	20	18	8	M16	Tr26×10(P5)LH	19	225	165	75
0.4	175	292	630	295	255	232	22	18	8	M16	Tr28×10(P5)LH	22	250	190	90
	200	292	665	320	280	258	22	18	8	M16	Tr28×10(P5)LH	22	250	215	115
	250	330	755	375	335	312	24	18	2	M16	Tr30×12(P6)LH	24	280	265	160
	300	356	835	440	395	365	24	22	2	M20	Tr30×12(P6)LH	24	280	315	210
0.25	350	381	1050	490	445	415	26	22	2	M20	Tr36×12(P6)LH	27	320	365	305
	400	406	1145	540	495	465	28	26	1	M20	Tr36×12(P6)LH	27	360	418	380
	450	432	1330	595	550	520	28	26	1	M20	Tr40×12(P6)LH	32	400	468	570
	500	457	1420	645	600	570	30	26	2	M20	Tr40×12(P6)LH	32	450	518	635