

Jinbo Marine

Marine & Offshore Equipment Datasheet

PRODUCT DATASHEET

JIS MARINE GATE VALVE

Marine Bronze Gate Valve Class 150 10K

ISO9001 Supplier

Class Certificate

Export Supply

Test Standard: JIS F7400-1996 Test Pressure: Body-2.1Mpa, Seat-1.54Mpa Main Material: 1-Body: Bronze (BC6) 2-Bonnet: Bronze (BC6) 3-Disc:Bronze(BC6) 4-Stem: Brass (C3771BD)

...



Key Highlights

Category	JIS Marine Gate Valve
Standard	JIS
Material	Bronze
Weight / Size	Cast Iron (FC200) Main Size List(mm):
Certificate	Mill Certificate

We can supply according to your requirement, drawings, class certificate needs, and delivery schedule.

Technical Specifications

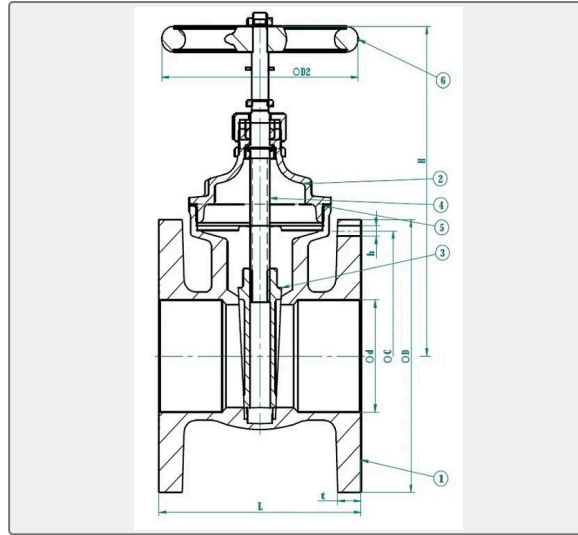
Category	JIS Marine Gate Valve	Model / SKU	Marine-Bronze-Gate-Valve-Class-150-10K
Standard	JIS	Material	Bronze
Weight / Size	Cast Iron (FC200) Main Size List(mm):	Certificate	Mill Certificate
Warranty	12 Months unless specified otherwise	Origin	China

CONTENTS

- China Marine Bronze Gate Valve Class 150 10K:
- Main Material:
- Main Size List(mm):



China Marine Bronze Gate Valve Class 150 10K:



Test Standard: JIS F7400-1996

Test Pressure: Body-2.1Mpa, Seat-1.54Mpa

Main Material:

1-Body: Bronze (BC6)

2-Bonnet: Bronze (BC6)

3-Disc: Bronze (BC6)

4-Stem: Brass (C3771BD)

5-Gasket: NBR or non-asbestos

6-Handwheel: Cast Iron (FC200)

Main Size List(mm):

DN	d	L	D	C	No of Bolt	h	t	H	D2
15	20	80	95	70	4	12	9	109	80
20	25	80	100	75	4	15	9	110	80
25	25	80	125	90	4	19	9	110	80
32	39	100	135	100	4	19	11	142	100
40	39	100	140	105	4	19	11	142	100
50	50	115	155	120	4	19	12	167	125
65	62	127	175	140	4	19	13	195	125
80	74	142	185	155	8	19	15	218	140
100	100	165	210	175	8	19	15	271	180