

Jinbo Marine

Marine & Offshore Equipment Datasheet

PRODUCT DATASHEET

JIS MARINE GATE VALVE

Marine Bronze Gate Valve JIS F7367 5K

Marine Bronze Gate Valve JIS 7367 is rising stem type gate valve. Design Standard: JIS F7367-1996 Test Standard: JIS 7400-1996 Hydraulic Test Pressure: Body- 1.05Mpa, Seat- 0.7Mpa Flange size as pe...

ISO9001 Supplier

Class Certificate

Export Supply



Key Highlights

Category	JIS Marine Gate Valve
Standard	JIS
Material	Bronze
Weight / Size	Body- 1.05Mpa, Seat-0.7Mpa Flange size as per JIS B2220 - 5K Main Materi...
Certificate	CCS,BV,GL,NK,RINA,ABS,DN V,LR, IRS, VR

We can supply according to your requirement, drawings, class certificate needs, and delivery schedule.

Technical Specifications

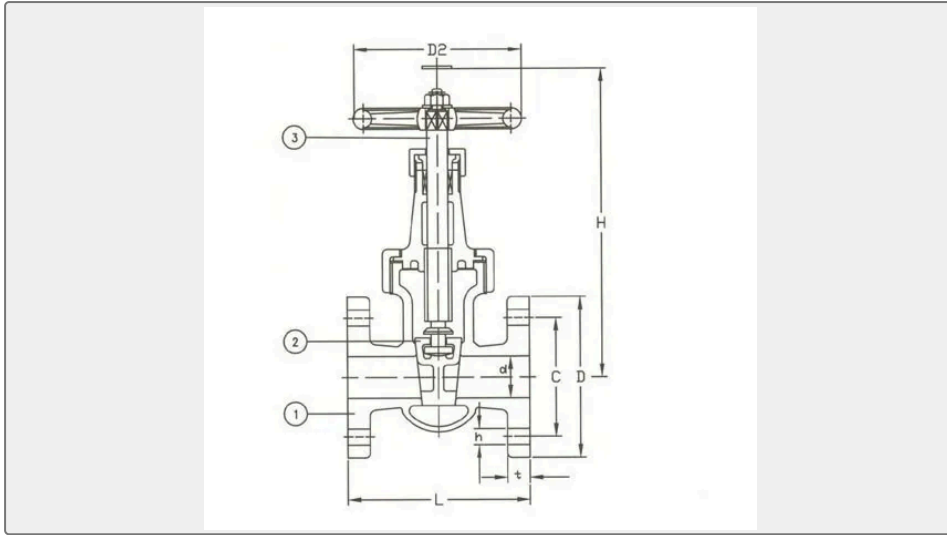
Category	JIS Marine Gate Valve	Model / SKU	Marine-Bronze-Gate-Valve-JIS-F7367-5K
Standard	JIS	Material	Bronze
Weight / Size	Body- 1.05Mpa, Seat-0.7Mpa Flange size as per JIS B2220 - 5K Main Material:	Certificate	CCS,BV,GL,NK,RINA,ABS,DNV,L R, IRS, VR
Warranty	12 Months unless specified otherwise	Origin	China

CONTENTS

- China Marine Bronze Gate Valve JIS F7367 5K:
- Main Material:
- Main Size List(mm):



China Marine Bronze Gate Valve JIS F7367 5K:



Marine Bronze Gate Valve JIS 7367 is rising stem type gate valve.

Design Standard: JIS F7367-1996

Test Standard: JIS 7400-1996

Hydraulic Test Pressure: Body- 1.05Mpa, Seat-0.7Mpa

Flange size as per JIS B2220 - 5K

Main Material:

Body: Bronze (BC6)

Bonnet: Bronze (BC6)

Disc: Bronze (BC6)

Stem: Brass (C3771BD)

Gasket: non-asbestos

Main Size List(mm):

IMPA CODE	Size	L	D	C	No of Bolt Hole	h	t	H	D2
750951	15	90	80	60	4	12	9	175	80
750952	20	100	85	65	4	12	10	200	100
750953	25	110	95	75	4	12	10	220	125
750954	32	130	115	90	4	15	12	250	125
750955	40	140	120	95	4	15	12	290	140

Remarks: we also can manufacture JIS F7367 as brass gate valve to help the customer save the cost.