

Jinbo Marine

Marine & Offshore Equipment Datasheet

PRODUCT DATASHEET

JIS MARINE GATE VALVE

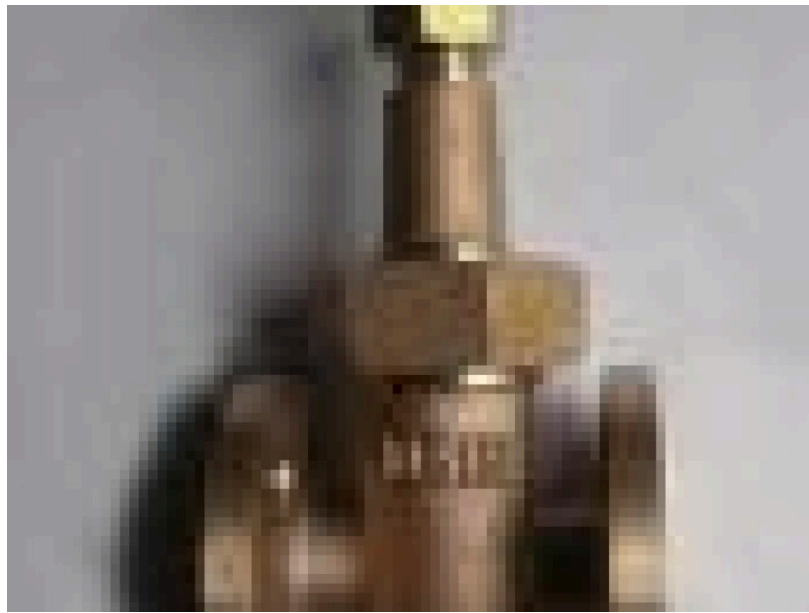
Marine Bronze Gate Valve JIS F7368 10K

ISO9001 Supplier

Class Certificate

Export Supply

Design Standard: JIS F7368-1996 Test Standard: JIS 7400-1996 Hydraulic Test Pressure:
 Body- 2.1Mpa, Seat-1.54Mpa Flange size as per JIS B2220 - 10K Main Material: Body:
 Bronze (BC6) Bo...



Key Highlights

Category	JIS Marine Gate Valve
Standard	JIS
Material	Bronze
Weight / Size	Body- 2.1Mpa, Seat-1.54Mpa Flange size as per JIS B2220 - 10K Main Mater...
Certificate	CCS,BV,GL,NK,RINA,ABS,DN V,LR

We can supply according to your requirement, drawings, class certificate needs, and delivery schedule.

Technical Specifications

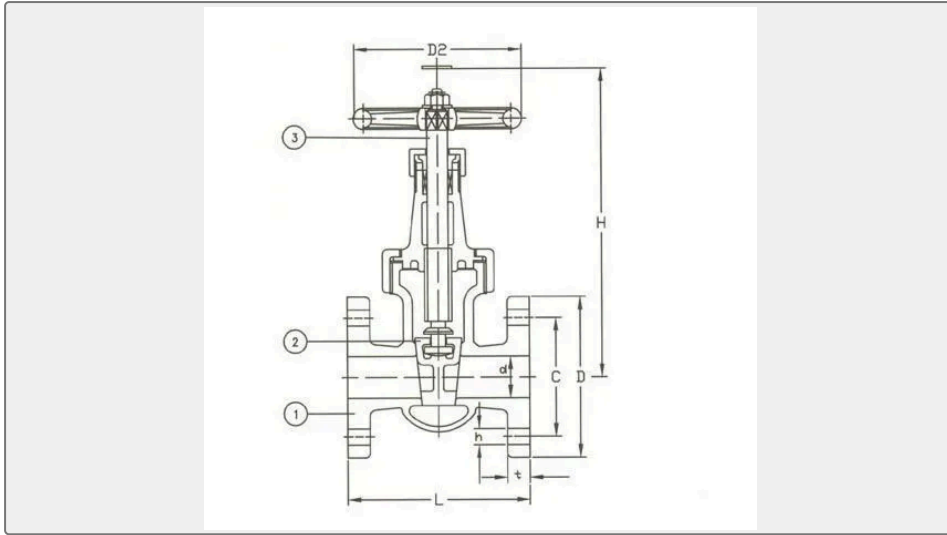
Category	JIS Marine Gate Valve	Model / SKU	Marine-Bronze-Gate-Valve-JIS-F7368-10K
Standard	JIS	Material	Bronze
Weight / Size	Body- 2.1Mpa, Seat-1.54Mpa Flange size as per JIS B2220 - 10K Main Material:	Certificate	CCS,BV,GL,NK,RINA,ABS,DNV,L R
Warranty	12 Months unless specified otherwise	Origin	China

CONTENTS

- China Marine Bronze Gate Valve JIS F7368 10K:
- Main Material:
- Main Size List(mm):



China Marine Bronze Gate Valve JIS F7368 10K:



Design Standard: JIS F7368-1996

Test Standard: JIS 7400-1996

Hydraulic Test Pressure: Body- 2.1Mpa, Seat-1.54Mpa

Flange size as per JIS B2220 - 10K

Main Material:

Body: Bronze (BC6)

Bonnet: Bronze (BC6)

Disc: Bronze (BC6)

Stem: Brass (C3771BD)

Gasket: non-asbestos

Main Size List(mm):

IMPA CODE	Size	L	D	C	No of Bolt Hole	h	t	H	D2
750961	15	100	95	70	4	15	12	175	80
750962	20	110	100	75	4	15	14	200	100
750963	25	120	125	90	4	19	14	220	125
750964	32	140	135	100	4	19	16	250	125
750965	40	150	140	105	4	19	18	290	140