

Jinbo Marine

Marine & Offshore Equipment Datasheet

PRODUCT DATASHEET

JIS MARINE HOSE VALVE

Marine Bronze Globe Hose Valve JIS F7334 5K (DN40-DN65)

ISO9001 Supplier

Class Certificate

Export Supply

Design Standard: JIS F7334-1996 Test Standard: JIS 7400-1996 Hydraulic Test Pressure: Body- 1.05Mpa, Seat-0.77Mpa Flange size as per JIS B2220 -5K Main Material: Body: Bronze (BC6) ...



Key Highlights

Category	JIS Marine Hose Valve
Standard	JIS
Material	Bronze
Weight / Size	Body- 1.05Mpa, Seat-0.77Mpa Flange size as per JIS B2220 -5K Main Materi...
Certificate	CCS,BV,GL,NK,RINA,ABS,DN V,LR

We can supply according to your requirement, drawings, class certificate needs, and delivery schedule.

Technical Specifications

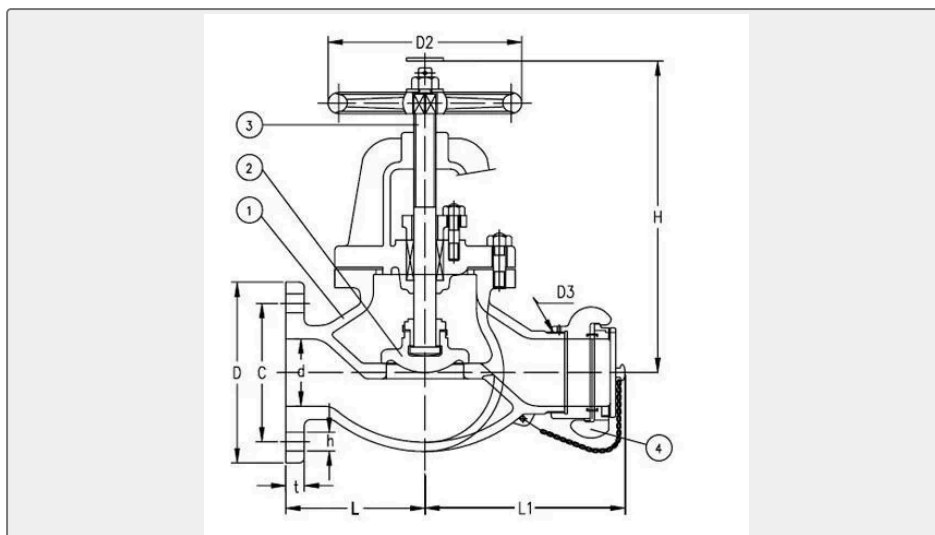
Category	JIS Marine Hose Valve	Model / SKU	Marine-Bronze-Globe-Hose-Valve-JIS-F7334-5K-DN40-DN65
Standard	JIS	Material	Bronze
Weight / Size	Body- 1.05Mpa, Seat-0.77Mpa Flange size as per JIS B2220 -5K Main Material:	Certificate	CCS,BV,GL,NK,RINA,ABS,DNV,L R
Warranty	12 Months unless specified otherwise	Origin	China

CONTENTS

- China Marine Bronze Globe Hose Valve JIS F7334 5K (DN40-DN65):
- Main Size List(mm):
- Main Material:



China Marine Bronze Globe Hose Valve JIS F7334 5K (DN40-DN65):



Design Standard: JIS F7334-1996

Test Standard: JIS 7400-1996

Hydraulic Test Pressure: Body- 1.05Mpa, Seat-0.77Mpa

Flange size as per JIS B2220 -5K

Main Material:

Body: Bronze (BC6)

Disc: Bronze (BC6)

Seat: Bronze (BC6)

Stem: Brass (C3771BD)

Coupling: Brass or Bronze

Bonnet: Bronze (BC6)

Handwheel: Cast Iron (FC200)

Main Size List(mm):

IMPA CODE	Size	Pressure	L1	L	D	C	t	No of Bolt Hole	h	H	D2
751711	40	5K	80	129	120	95	12	4	15	190	140
751712	40	10K	90	134	140	105	16	4	19	190	140
751716	50	5K	105	160	130	105	14	4	15	225	160
751717	50	10K	110	165	155	120	16	4	19	270	160
751718	65	10K	135	200	175	140	18	4	19	295	200