

Jinbo Marine

Marine & Offshore Equipment Datasheet

PRODUCT DATASHEET

JIS MARINE GLOBE VALVE

Marine Bronze Globe Valve JIS F7303 16K

ISO9001 Supplier

Class Certificate

Export Supply

Design Standard: JIS F7303-1996 Test Standard: JIS F7400-1996 Test Pressure: Body-3.3Mpa, Seat-2.42Mpa Flange Size as per JIS B2220-16K Main Material: 1-Body: Bronze (BC6) 2-Dis...



Key Highlights

Category	JIS Marine Globe Valve
Standard	JIS
Material	Bronze
Weight / Size	Body-3.3Mpa, Seat-2.42Mpa Flange Size as per JIS B2220-16K Main Material...
Certificate	CCS,BV, NK,DNV,GL, LR, ABS, RINA

We can supply according to your requirement, drawings, class certificate needs, and delivery schedule.

Technical Specifications

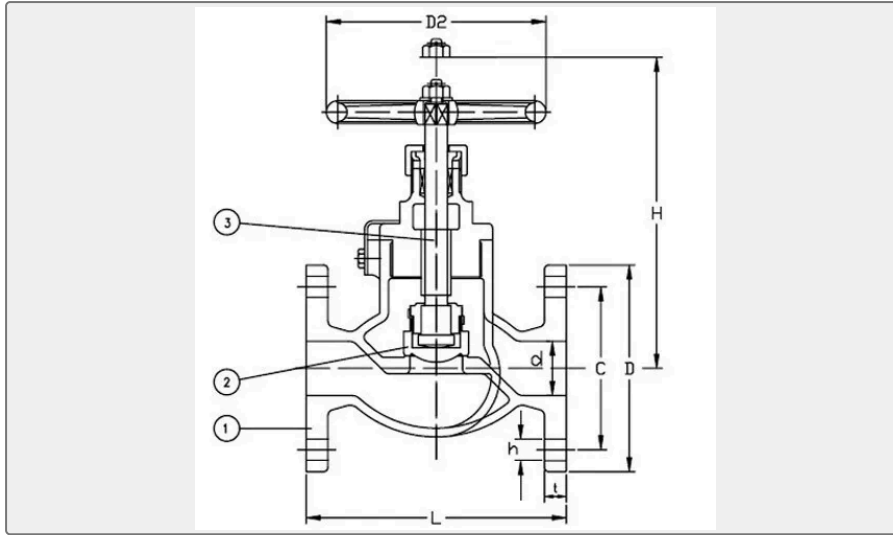
Category	JIS Marine Globe Valve	Model / SKU	Marine-Bronze-Globe-Valve-JIS-F7303-16K
Standard	JIS	Material	Bronze
Weight / Size	Body-3.3Mpa, Seat-2.42Mpa Flange Size as per JIS B2220-16K Main Material:	Certificate	CCS,BV, NK,DNV,GL, LR, ABS, RINA
Warranty	12 Months unless specified otherwise	Origin	China

CONTENTS

- China Marine Bronze Globe Valve JIS F7303 16K:
- Main Material:
- Main Size List(mm):



China Marine Bronze Globe Valve JIS F7303 16K:



Design Standard: JIS F7303-1996

Test Standard: JIS F7400-1996

Test Pressure: Body-3.3Mpa, Seat-2.42Mpa

Flange Size as per JIS B2220-16K

Main Material:

1-Body: Bronze (BC6)

2-Disc: Bronze (BC6)

3-Stem: Brass (C3771BD)

4-Bonnet: Bronze (BC6)

5-Handwheel: Cast Iron (FC200)

Main Size List(mm):

IMPA Code	Size	L	D	C	No of Bolt Hole	h	t	H	D2
750141	15	110	95	70	4	15	12	130	80
750142	20	120	100	75	4	15	14	140	100
750143	25	130	125	90	4	19	14	160	125
750144	32	160	135	100	4	19	16	170	125
750145	40	180	140	105	4	19	16	190	140