

Jinbo Marine

Marine & Offshore Equipment Datasheet

PRODUCT DATASHEET

CB MARINE SAFETY VALVE

Marine Bronze Male Thread Air Signal Safety Valve CB3022-94

ISO9001 Supplier

Class Certificate

Export Supply

Marine Air Signal Safety Valve with male thread is used on the marine compressed air pipe system. When the system pressure rises over the permitted value, the safety valve opens automatically and discharges, prevents the...



Key Highlights

Category	CB Marine Safety Valve
Standard	CB
Material	Bronze
Weight / Size	CB3021-94 Thread size as per CB56-83, CB821-84 Type R-valve disc is non-...
Certificate	CCS, BV, ABS, DNV/GL, NK, IRS, RMRS, KR,LR

We can supply according to your requirement, drawings, class certificate needs, and delivery schedule.

Technical Specifications

Category	CB Marine Safety Valve	Model / SKU	Marine-Bronze-Male-Thread-Air-Signal-Safety-Valve-CB3022-94
Standard	CB	Material	Bronze
Weight / Size	CB3021-94 Thread size as per CB56-83, CB821-84 Type R-valve disc is non-metal seal face Type Y-valve disc is metal seal face Main Parts & Material:	Certificate	CCS, BV, ABS, DNV/GL, NK, IRS, RMRS, KR,LR
Warranty	12 Months unless specified otherwise	Origin	China

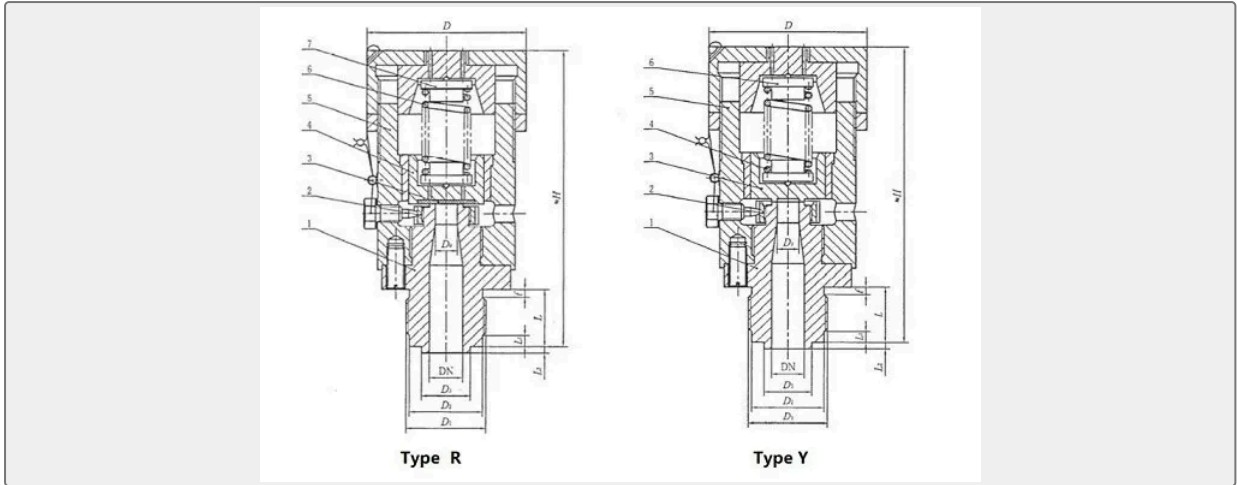
CONTENTS

- China Marine Bronze Male Thread Air Signal Safety Valve CB3022-94:
- Main Size List(mm):
- Main Parts & Material:



0.066999s

China Marine Bronze Male Thread Air Signal Safety Valve CB3022-94:



Marine Air Signal Safety Valve with male thread is used on the marine compressed air pipe system. When the system pressure rises over the permitted value, the safety valve opens automatically and discharges, prevents the system pressure from rising. When the system pressure falls to a specified value, the safety valve closes automatically to ensure the good running of the system.

Design Standard: CB3022-94

Test Standard: CB3021-94

Thread size as per CB56-83, CB821-84

Type R-valve disc is non-metal seal face

Type Y-valve disc is metal seal face

Main Parts & Material:

Body: Bronze, Steel #35 or Stainless Steel 2Cr13

Spring: Spring Steel Wire

Adjustable Ring: Brass

Disc: Bronze for type R, Stainless Steel 2Cr13 for type Y

Seat: Bronze for type R, Stainless Steel 2Cr13 for type Y

Sealing: NBR or Nylon for type R, Stainless Steel 2Cr13 for type Y

Main Size List(mm):

nominal pressure	nominal diameter	DN	structure dimension		flange connection dimension						weight (kg)		
			D	H	D1	D2	D3	L	L1	L2	f	Type R	Type Y



0.1~0.25	10	8	55	116	M22×1.5	19.8	13	17	2	2	3	1.1	1.3
>0.25~0.6				116	M22×1.5	19.8	13	17	2	2	3	1.1	1.3
>0.6~1.2				117	M22×1.5	19.8	13	17	2	2	3	1.1	1.3
>1.2~1.6				117	M22×1.5	19.8	13	17	2	2	3	1.1	1.3
>1.6~2.5				117	M27×1.5	24.8	14	19	3	3	3	1.1	1.3
>2.5~3.5				117	M27×1.5	24.8	14	19	3	3	3	1.1	1.3
>3.5~4.0				117	M27×1.5	24.8	14	19	3	3	3	1.1	1.3
>4.0~6.5				142	M27×1.5	24.8	14	19	3	3	3	1.1	1.3
0.1~0.25	15	10	67	128	M30×2	27	19	23	3	2	4	1.8	2
>0.25~0.6				128	M30×2	27	19	23	3	2	4	1.8	2
>0.6~0.9				128	M30×2	27	19	23	3	2	4	1.8	2
>0.9~1.2				129	M30×2	27	19	23	3	2	4	1.8	2
>1.2~1.6				131	M30×2	27	19	23	3	2	4	1.8	2
>1.6~2.2				131	M36×2	33	22	26	5	3	4	1.8	2
>2.2~3.5				136	M36×2	33	22	26	5	3	4	1.8	2
>3.5~5.0				139	M36×2	33	22	26	5	3	4	1.8	2
>5.0~6.5	140	M36×2	33	22	26	5	3	4	1.8	2			
0.1~0.25	20	15	67	130	M36×2	33	24	23	3	2	4	1.9	2.2
>0.25~0.4				130	M36×2	33	24	23	3	2	4	1.9	2.2
>0.4~0.6				135	M36×2	33	24	23	3	2	4	1.9	2.2
>0.6~0.9				133	M36×2	33	24	23	3	2	4	1.9	2.2
>0.9~1.2				140	M36×2	33	24	23	3	2	4	1.9	2.2
>1.2~1.6				133	M36×2	33	24	23	3	2	4	1.9	2.2
>1.6~2.2				139	M39×2	36	25	27	5	3	4	1.9	2.2
>2.2~3.0				142	M39×2	36	25	27	5	3	4	1.9	2.2
>3.0~3.5	144	M39×2	36	25	27	5	3	4	1.9	2.2			

0.1~0.25	25	20	72	148	M42×2	39	29	24	3	2	4	3	3.2
>0.25~0.4				145	M42×2	39	29	24	3	2	4	3	3.2
>0.4~0.9				145	M42×2	39	29	24	3	2	4	3	3.2
>0.9~1.2				145	M42×2	39	29	24	3	2	4	3	3.2
>1.2~1.6				145	M42×2	39	29	24	3	2	4	3	3.2
>1.6~2.0				145	M48×2	45	32	30	6	3	4	3	3.2
>2.0~2.5				151	M48×2	45	32	30	6	3	4	3	3.2
>2.5~3.0				148	M48×2	45	32	30	6	3	4	3	3.2
>3.0~3.5				150	M48×2	45	32	30	6	3	4	3	3.2