

# Jinbo Marine

Marine &amp; Offshore Equipment Datasheet

PRODUCT DATASHEET

## GB MARINE GLOBE VALVE

# Marine Bronze Male Thread Angle Stop Valve GB595-83 Type B

ISO9001 Supplier

Class Certificate

Export Supply

Marine Bronze Male Thread Angle Stop Valve is also called as marine bronze male thread angle valve. Type B is angle type, Type A is straight type. Design Standard: GB595-83 Test Standard: GB600 ...



### Key Highlights

Category	GB Marine Globe Valve
Standard	GB
Material	Bronze
Weight / Size	Body-Bronze Bonnet-Bronze Disc-Bronze Stem-Bronze Main Size List(mm):
Certificate	CCS, BV, ABS, DNV/GL, NK, IRS, RMRS, KR,LR

We can supply according to your requirement, drawings, class certificate needs, and delivery schedule.

### Technical Specifications

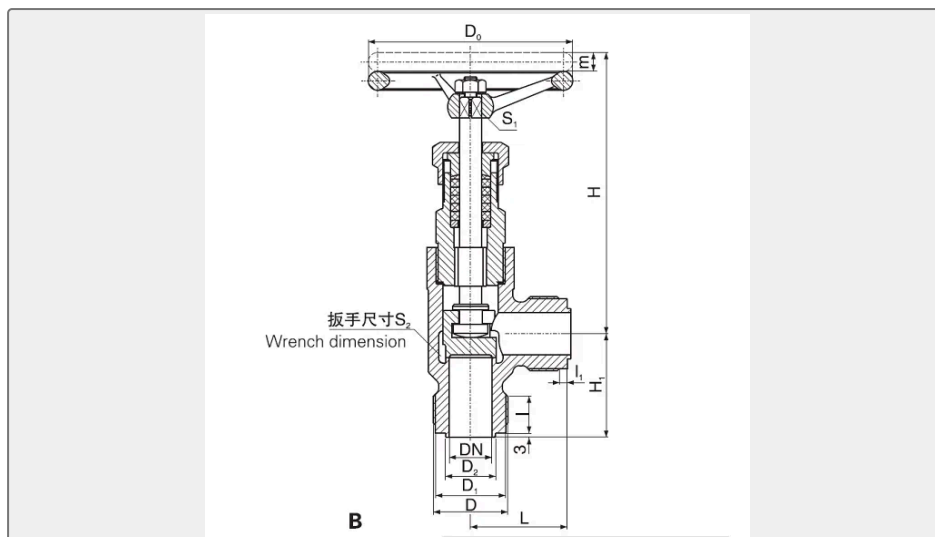
Category	GB Marine Globe Valve	Model / SKU	Marine-Bronze-Male-Thread-Angle-Stop-Valve-GB595-83-Type-B
Standard	GB	Material	Bronze
Weight / Size	Body-Bronze Bonnet-Bronze Disc-Bronze Stem-Bronze Main Size List(mm):	Certificate	CCS, BV, ABS, DNV/GL, NK, IRS, RMRS, KR,LR
Warranty	12 Months unless specified otherwise	Origin	China

#### CONTENTS

- China Marine Bronze Male Thread Angle Stop Valve GB595-83 Type B:
- Main Material:
- Main Size List(mm):

 0.066343s

## China Marine Bronze Male Thread Angle Stop Valve GB595-83 Type B:



Marine Bronze Male Thread Angle Stop Valve is also called as marine bronze male thread angle valve. Type B is angle type, Type A is straight type.

Design Standard: GB595-83

Test Standard: GB600

Nominal Pressure (Mpa)	Nominal diameter(mm)	Applicable medium
4.0	15--32	fresh water, lubrication oil, fuel oil, steam not over 250°C
10.0	6--32	

### Main Material:

Body-Bronze

Bonnet-Bronze

Disc-Bronze

Stem-Bronze

### Main Size List(mm):

DN6--DN10

PN (MPa)	DN (mm)	Structure Dimension					thread joint					wrench size	hand wheel		lift range m	Weight(kg)		
		L		H≈	H1		D	D1	D2	l	l1		S2	D0		S1	Typ e A	Type B
		Typ e A	Typ e B		Typ e A	Typ e B												
10.0	6	74	37	90	12	32	M22×1.5	19.8	10	14	3	24	65	7	5	0.48	0.45	
	10	94	47	109	16	38	M27×1.5	24.8	14	16	3	30	80	8	7	0.87	0.85	



0.066343s

## DN15--DN32

PN (MPa)	DN (mm)	Structure Dimension					thread joint					wrench size S2		hand wheel		lift range m	Weight(kg)	
		L		H ≈	H1		D	D 1	D 2	l	l 1	Typ e A	Typ e B	D0	S 1		Typ e A	Typ e B
		Typ e A	Typ e B		Typ e A	Typ e B												
4.0	15	110	55	14 3	25	52	M36 ×2	3 3	2 2	2 2	5	32	41	80	8	10	1.51	1.45
	20	116	58	15 3	32	55	M39 ×2	3 6	2 5	2 3	5	36	46	10 0	9	12	1.81	1.77
	25	130	65	16 7	38	64	M48 ×2	4 5	3 2	2 6	6	46	50	12 0	11	14	2.54	2.60
	32	140	70	19 7	46	72	M56 ×2	5 3	3 8	2 8	6	46	60	14 0	12	16	4.31	4.08
10.0	15	120	60	16 4	27	52	M36 ×2	3 3	2 2	2 2	5	32	41	12 0	11	10	2.10	1.96
	20	134	67	19 4	32	55	M39 ×2	3 6	2 5	2 3	5	36	46	14 0	12	12	3.06	2.88
	25	134	67	20 4	38	64	M48 ×2	4 5	3 2	2 6	6	46	55	14 0	12	14	3.61	3.49
	32	146	73	22 0	46	75	M56 ×2	5 3	3 8	2 8	6	55	65	16 0	14	16	4.99	4.25