

Jinbo Marine

Marine & Offshore Equipment Datasheet

PRODUCT DATASHEET

GB MARINE COCK

Marine Bronze Male Thread Drain Cock GB/T599-1996

ISO9001 Supplier

Class Certificate

Export Supply

Marine Bronze Male Thread Drain Cock GB/T599-1996 is used to drain off sea water, fresh water, lubrication oil, fuel oil in marine pipe system. Technical Specification: 1. Design & Manufacturing Standard...



Key Highlights

Category	GB Marine Cock
Standard	JIS
Material	Bronze
Weight / Size	GB600 Nominal Pressure (Mpa) Nominal Size(mm) Applicable Medium 0.1 10,1...
Certificate	CCS, BV, ABS, GL, LR, DNV, NK,RINA, KR,IRS

We can supply according to your requirement, drawings, class certificate needs, and delivery schedule.

Technical Specifications

Category	GB Marine Cock	Model / SKU	Marine-Bronze-Male-Thread-Drain-Cock-GB-T599-1996
Standard	JIS	Material	Bronze
Weight / Size	GB600 Nominal Pressure (Mpa) Nominal Size(mm) Applicable Medium 0.1 10,15,20,25 sea water, fresh water, lubrication oil, fuel oil 1.0 32 1.6 20.25 2.5 6,10,15 Main Parts & Material:	Certificate	CCS, BV, ABS, GL, LR, DNV, NK,RINA, KR,IRS
Warranty	12 Months unless specified otherwise	Origin	China

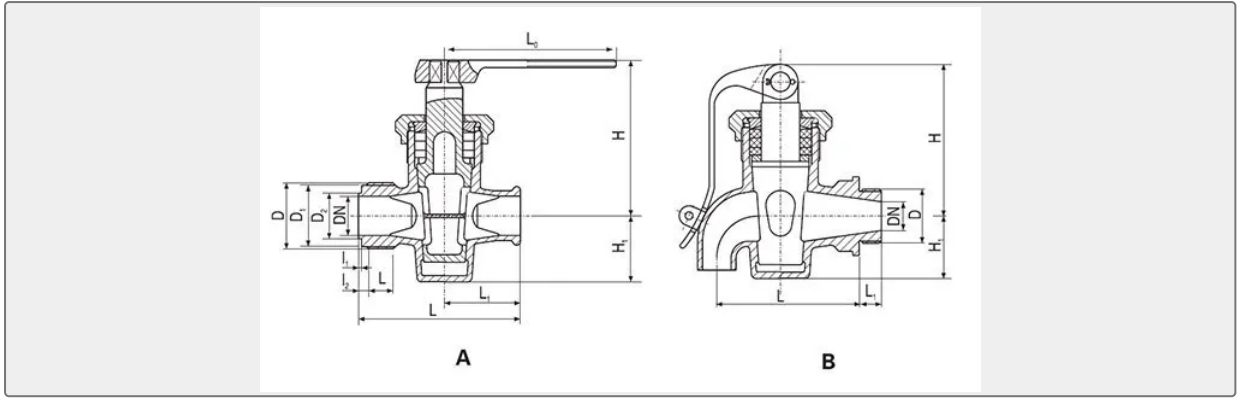
CONTENTS

- China Marine Bronze Male Thread Drain Cock GB/T599-1996:
- Main Parts & Material:
- Technical Specification:
- Main Size List(mm):



0.059311s

China Marine Bronze Male Thread Drain Cock GB/T599-1996:



Marine Bronze Male Thread Drain Cock GB/T599-1996 is used to drain off sea water, fresh water, lubrication oil, fuel oil in marine pipe system.

Technical Specification:

1. Design & Manufacturing Standard: GB/T599-1996, JIS F7390
2. Test Standard: GB600

Nominal Pressure (Mpa)	Nominal Size(mm)	Applicable Medium
0.1	10,15,20,25	sea water, fresh water, lubrication oil, fuel oil
1.0	32	
1.6	20,25	
2.5	6,10,15	

Main Parts & Material:

Body---Bronze

Core---Bronze

Handle---Cast Iron

Main Size List(mm):

Type A:

PN (MPa)	DN (mm)	Structure Dimension				thread connection						handle l0	Thickness δ	Weight(kg)
		L	L1	H1	H	D	D1	D2	I	I1	I2			
2.5	6	60	25	20	60	M22×1.5	19.8	10	14	3	3	100	5	0.4
	10	69	30	27	72	M27×1.5	24.8	14	16	3	3	110	5	0.63
	15	87	41	37	92	M36×2	33	22	22	5	3	115	5	0.94
1.6	20	92	43	40	99	M36×2	33	24	20	3	2	125	4	1.43
	25	103	50	42	108	M42×2	39	29	21	3	2	140	4	1.69

1.0	32	119	56	49	120	M48×2	45	36	21	3	2	160	5	3.21
-----	----	-----	----	----	-----	-------	----	----	----	---	---	-----	---	------

Type B:

PN (MPa)	DN (mm)	Structure Dimension				thread connection D	handle l0	Thickness δ	hex. Subtense s	locking hole d	Weight(kg)
		L	L1	H1	H						
0.1	10	58	14	21	58	M22×1.5	80	3	22	6	0.58
	15	67	18	26	65	M27×1.5	85	3	27	6	0.88
	20	81	20	32	77	M33×2	100	3	36	7	1.18
	25	98	22	37	90	M42×2	120	3	41	8	1.7