

# Jinbo Marine

Marine &amp; Offshore Equipment Datasheet

PRODUCT DATASHEET

## GB MARINE COCK

## Marine Bronze Male Thread Drain Cock GB/T599-1996 Type A

ISO9001 Supplier

Class Certificate

Export Supply

Marine Bronze Male Thread Drain Cock GB/T599-1996 is used to drain off sea water, fresh water, lubrication oil, fuel oil in marine pipe system. Technical Specification: 1....



### Key Highlights

Category	GB Marine Cock
Standard	JIS
Material	Bronze
Weight / Size	GB600 Nominal Pressure (Mpa) Nominal Size(mm) Applicable Medium 0.1 10,1...
Certificate	CCS, BV, ABS, DNV/GL, NK, RINA, LR

We can supply according to your requirement, drawings, class certificate needs, and delivery schedule.

### Technical Specifications

Category	GB Marine Cock	Model / SKU	Marine-Bronze-Male-Thread-Drain-Cock-GB-T599-1996-Type-A
Standard	JIS	Material	Bronze
Weight / Size	GB600 Nominal Pressure (Mpa) Nominal Size(mm) Applicable Medium 0.1 10,15,20,25 sea water, fresh water, lubrication oil, fuel oil 1.0 32 1.6 20.25 2.5 6,10,15 Main Parts & Material:	Certificate	CCS, BV, ABS, DNV/GL, NK, RINA, LR
Warranty	12 Months unless specified otherwise	Origin	China

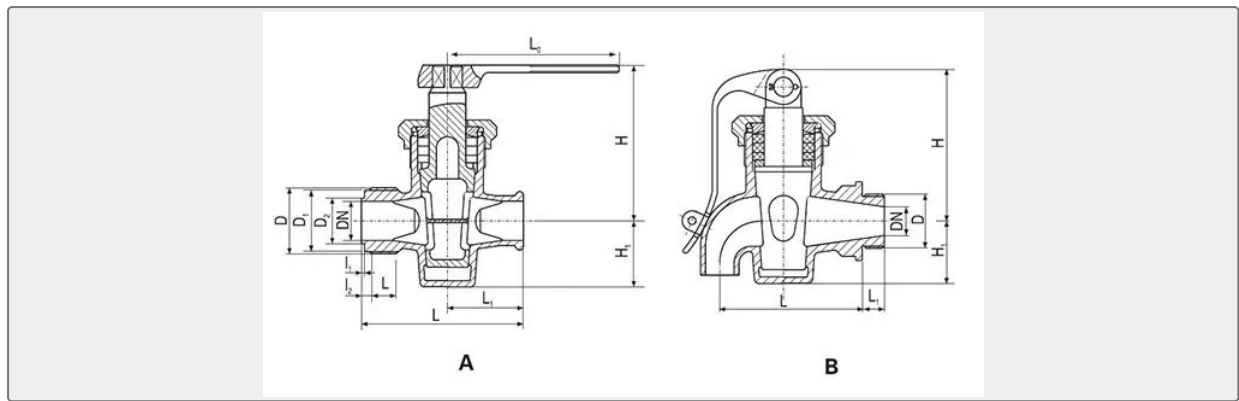
#### CONTENTS

- China Marine Bronze Male Thread Drain Cock GB/T599-1996 Type A:
- Main Parts & Material:
- Technical Specification:
- Main Size List(mm):



0.058466s

## China Marine Bronze Male Thread Drain Cock GB/T599-1996 Type A:



Marine Bronze Male Thread Drain Cock GB/T599-1996 is used to drain off sea water, fresh water, lubrication oil, fuel oil in marine pipe system.

### Technical Specification:

1. Design & Manufacturing Standard: GB/T599-1996, JIS F7390
2. Test Standard: GB600

Nominal Pressure (Mpa)	Nominal Size(mm)	Applicable Medium
0.1	10,15,20,25	sea water, fresh water, lubrication oil, fuel oil
1.0	32	
1.6	20,25	
2.5	6,10,15	

### Main Parts & Material:

Body---Bronze

Core---Bronze

Handle---Cast Iron

### Main Size List(mm):

Type A:

PN (MPa)	DN (mm)	Structure Dimension				thread connection						handle l0	Thickness δ	Weight(kg)
		L	L1	H1	H	D	D1	D2	I	I1	I2			
2.5	6	60	25	20	60	M22×1.5	19.8	10	14	3	3	100	5	0.4
	10	69	30	27	72	M27×1.5	24.8	14	16	3	3	110	5	0.63
	15	87	41	37	92	M36×2	33	22	22	5	3	115	5	0.94
1.6	20	92	43	40	99	M36×2	33	24	20	3	2	125	4	1.43
	25	103	50	42	108	M42×2	39	29	21	3	2	140	4	1.69

1.0	32	119	56	49	120	M48×2	45	36	21	3	2	160	5	3.21
-----	----	-----	----	----	-----	-------	----	----	----	---	---	-----	---	------

## Type B:

PN (MPa)	DN (mm)	Structure Dimension				thread connection D	handle l0	Thickness $\delta$	hex. Subtense s	locking hole d	Weight(kg)
		L	L1	H1	H						
0.1	10	58	14	21	58	M22×1.5	80	3	22	6	0.58
	15	67	18	26	65	M27×1.5	85	3	27	6	0.88
	20	81	20	32	77	M33×2	100	3	36	7	1.18
	25	98	22	37	90	M42×2	120	3	41	8	1.7