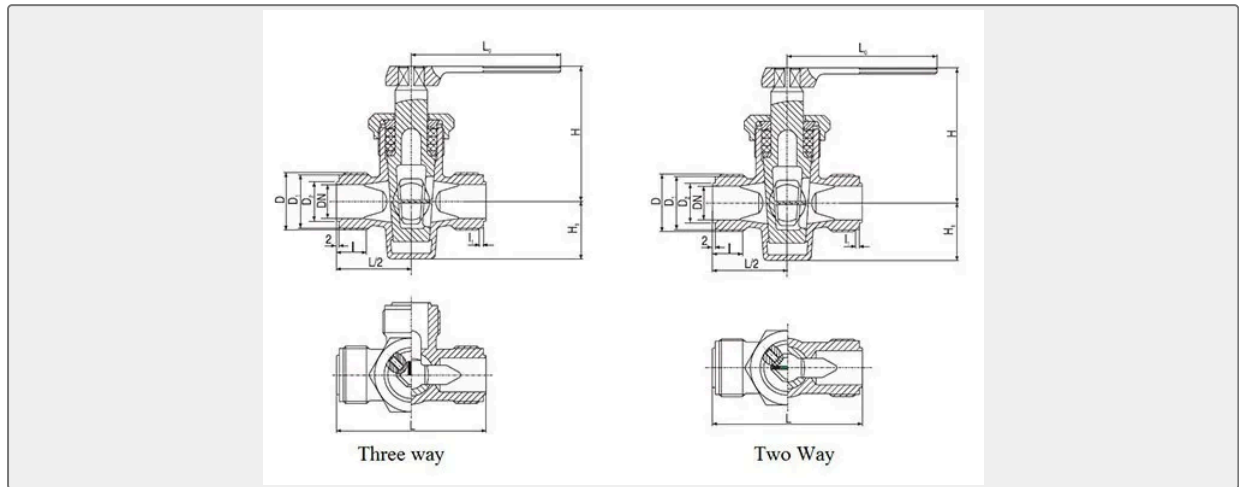


CONTENTS

- China Marine Bronze Male Thread Packed Cock GB598-80:
- Main Parts & Material:
- Technical Specification:
- Main Size List(mm):

China Marine Bronze Male Thread Packed Cock GB598-80:

Marine Bronze Male Thread Packed Cock GB598-80 is thread type check valve. There is straight type and angle type.

Type A---Two way cock

Type L, Type T--Three way cock

Technical Specification:

Design & Manufacturing Standard: GB598-80

Test Standard: GB600

Nominal Pressure(Mpa)	Nominal Size(mm)	Applicable Medium
0.1	32	sea water,fresh water, lubication oil, fuel oil
1.6	20,25	
2.5	6,10,15	

Main Parts & Material:

Body---Bronze

Bonnet---Bronze

Core---Bronze

Lever---Cast Iron

Main Size List(mm):

DN (mm)	Structure Dimension			Flange				handle L0	Weight(kg)		
	L	H1	H	D	D1	D2	I		A	T	L

0.054786s

6	70	20	60	M22×1.5	-	-	12	100	0.42	0.48	0.49
10	78	27	72	M27×105	-	-	15	110	0.69	0.71	0.72
15	92	37	92	M36×2	-	-	16	115	1.07	1.24	1.26
20	98	40	99	M36×2	33	24	20	125	1.52	1.70	1.72
25	106	42	108	M42×2	39	29	20	140	1.9	2.22	2.24
32	126	49	120	M48×2	45	36	20	160	3.47	3.97	3.89