

Jinbo Marine

Marine & Offshore Equipment Datasheet

PRODUCT DATASHEET

JIS MARINE QUICK CLOSING VALVE

Marine Bronze Oil Tank Quick Closing Valve JIS F7399 10K

ISO9001 Supplier

Class Certificate

Export Supply

Marine Quick Closing Valve is used to shut off the fuel oil/lubricatoin oil pipeline in emergency. It can controlled by lever or the air cylinder. Material can be cast steel, bronze, nodular iron. Operation type: ...



Key Highlights

Category	JIS Marine Quick Closing Valve
Standard	JIS
Material	Bronze, Brass
Weight / Size	JIS 7400-1996 Hydraulic Test Pressure:Body- 0.7Mpa, Seat- 0.2Mpa,Seal for...
Certificate	CCS, BV, ABS, DNV/GL, LR, NK

We can supply according to your requirement, drawings, class certificate needs, and delivery schedule.

Technical Specifications

Category	JIS Marine Quick Closing Valve	Model / SKU	Marine-Bronze-Oil-Tank-Quick-Closing-Valve-JIS-F7399-10K
Standard	JIS	Material	Bronze, Brass
Weight / Size	JIS 7400-1996 Hydraulic Test Pressure:Body- 0.7Mpa, Seat- 0.2Mpa,Seal for quick closing- 0.1Mpa Flange size as per JIS B2220 - 10K Main Material:	Certificate	CCS, BV, ABS, DNV/GL, LR, NK
Warranty	12 Months unless specified otherwise	Origin	China

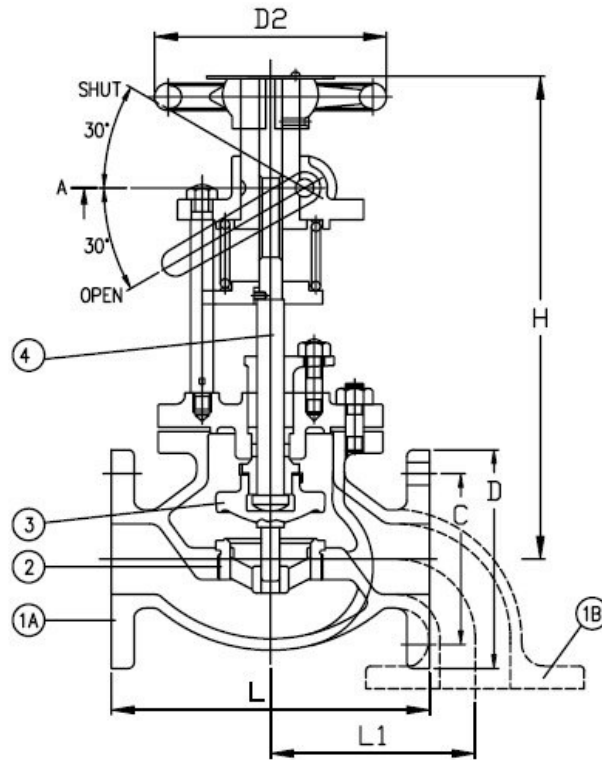
CONTENTS

- China Marine Bronze Oil Tank Quick Closing Valve JIS F7399 10K:
- Main Material:
- Main Size List(mm):



0.062979s

China Marine Bronze Oil Tank Quick Closing Valve JIS F7399 10K:



Marine Quick Closing Valve is used to shut off the fuel oil/lubrication oil pipeline in emergency. It can be controlled by lever or the air cylinder. Material can be cast steel, bronze, nodular iron.

Operation type: Manual (Lever) or Pneumatically operated

Design Standard: JIS F7399-1996

Test Standard: JIS 7400-1996

Hydraulic Test Pressure: Body- 0.7Mpa, Seat-0.2Mpa, Seal for quick closing-0.1Mpa

Flange size as per JIS B2220 - 10K

Main Material:

Body: Bronze or Brass

Bonnet: Bronze or Brass

Seat: Bronze or Brass

Disc: Bronze or Brass

Stem: Brass (C3771BD)

Operation Spindle: SUS403

Operation Lever: SUS403

Handwheel: FC200 (Cast iron)

Gasket: non-asbestos

Main Size List(mm):

DN	d	L	D	C	Bolt Hole NO.	Bolt Hole Diameter	Flange thickness	H	D2
10K15	15	110	95	70	4	15	12	265	120
10K20	20	120	100	75	4	15	14	265	120
10K25	25	130	125	90	4	19	14	265	120
10K40	40	180	140	105	4	19	16	310	140
10K50	50	220	155	120	4	19	16	335	160
10K65	65	270	175	140	4	19	18	395	180
10K80	80	300	185	150	8	19	18	420	180