

Jinbo Marine

Marine & Offshore Equipment Datasheet

PRODUCT DATASHEET

JIS MARINE QUICK CLOSING VALVE

Marine Bronze Pneumactical Emergency Shut-Off Valve JIS F7399 5K

ISO9001 Supplier

Class Certificate

Export Supply

Marine Emergency Shut-off Valve is used to shut off the fuel oil pipeline in emergency. It can be controlled by lever or air cylinder. The remote control is impelmented by air cylinder.

Operation type: Manual (Leve...



Key Highlights

Category	JIS Marine Quick Closing Valve
Standard	JIS
Material	Bronze, Brass
Weight / Size	JIS 7400-1996 Hydraulic Test Pressure:Body- 0.7Mpa, Seat-0.2Mpa,Seal for...
Certificate	CCS,BV,DNV,GL,LR, RINA, ABS, NK

We can supply according to your requirement, drawings, class certificate needs, and delivery schedule.

Technical Specifications

Category	JIS Marine Quick Closing Valve	Model / SKU	Marine-Bronze-Pneumactical-Emergency-Shut-Off-Valve-JIS-F7399-5K
Standard	JIS	Material	Bronze, Brass
Weight / Size	JIS 7400-1996 Hydraulic Test Pressure:Body- 0.7Mpa, Seat-0.2Mpa,Seal for quick closing-0.1Mpa Flange size as per JIS B2220 - 5K Main Material:	Certificate	CCS,BV,DNV,GL,LR, RINA, ABS, NK
Warranty	12 Months unless specified otherwise	Origin	China

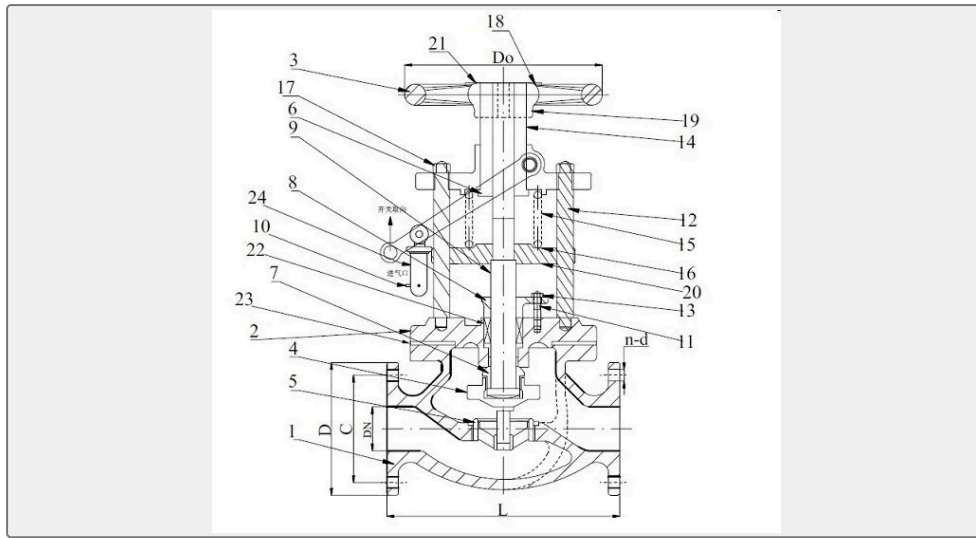
CONTENTS

- China Marine Bronze Pneumactical Emergency Shut-Off Valve JIS F7399 5K:
- Main Material:
- Main Size List (mm):



0.038131s

China Marine Bronze Pneumactical Emergency Shut-Off Valve JIS F7399 5K:



Marine Emergency Shut-off Valve is used to shut off the fuel oil pipeline in emergency. It can be controlled by lever or air cylinder. The remote control is impelmented by air cylinder.

Operation type: Manual (Lever) or Pneumatic (air cylinder)

Design Standard: JIS F7399-1996

Test Standard: JIS 7400-1996

Hydraulic Test Pressure:Body- 0.7Mpa, Seat-0.2Mpa,Seal for quick closing-0.1Mpa

Flange size as per JIS B2220 - 5K

Main Material:

Body: Bronze or Brass

Bonnet: Bronze or Brass

Seat: Brone or Brass

Disc: Brone or Brass

Stem: Brass (C3771BD)

Air Cylinder: Brass

Operation Spindle: SUS403

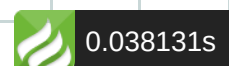
Operation Lever: SUS403

Handwheel: FC200 (Cast iron)

Gasket: non-asbestos

Main Size List (mm):

DN	d	L	D	C	Bolt Hole NO.	Bolt Hole Diameter	Flange thickness	H	D2
5K15	15	100	80	60	4	12	10	265	120



5K20	20	110	85	65	4	12	10	265	120
5K25	25	120	95	75	4	12	10	265	120
5K40	40	160	120	95	4	15	12	310	140
5K50	50	210	130	105	4	15	14	335	160
5K65	65	250	155	130	4	15	14	395	180
5K80	80	280	180	145	4	19	18	420	180
10K15	15	110	95	70	4	15	12	265	120
10K20	20	120	100	75	4	15	14	265	120
10K25	25	130	125	90	4	19	14	265	120
10K40	40	180	140	105	4	19	16	310	140
10K50	50	220	155	120	4	19	16	335	160
10K65	65	270	175	140	4	19	18	395	180
10K80	80	300	185	150	8	19	18	420	180