

Jinbo Marine

Marine & Offshore Equipment Datasheet

PRODUCT DATASHEET

JIS MARINE GLOBE VALVE

Marine Bronze SDNR Globe Valve Class 150 10K

ISO9001 Supplier

Class Certificate

Export Supply

Test Standard: JIS F7400-1996 Test Pressure: Body-1.05Mpa, Seat-0.77Mpa Main Material:
1-Body: Bronze (BC6) 2-Bonnet:Brass (C3771BD) 3-Disc:Brass (C3771BD) 4-Stem: Brass
(C3771B...



Key Highlights

Category	JIS Marine Globe Valve
Standard	JIS
Material	Bronze
Weight / Size	Cast Iron (FC200) Main Size List(mm):
Certificate	Mill Certificate

We can supply according to your requirement, drawings, class certificate needs, and delivery schedule.

Technical Specifications

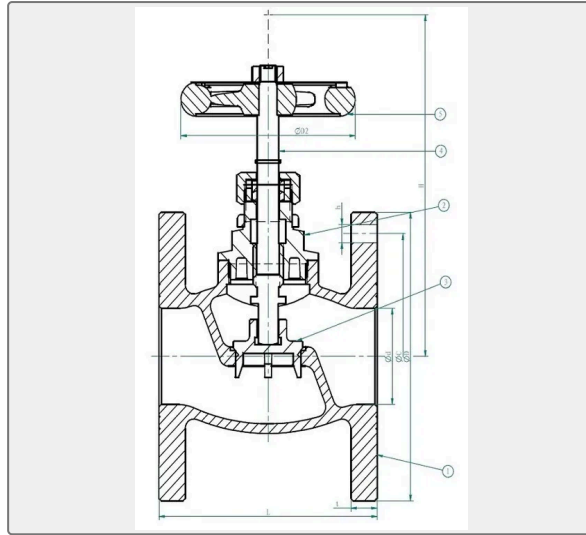
Category	JIS Marine Globe Valve	Model / SKU	Marine-Bronze-SDNR-Globe-Valve-Class-150-10K
Standard	JIS	Material	Bronze
Weight / Size	Cast Iron (FC200) Main Size List(mm):	Certificate	Mill Certificate
Warranty	12 Months unless specified otherwise	Origin	China

CONTENTS

- China Marine Bronze SDNR Globe Valve Class 150 10K:
- Main Material:
- Main Size List(mm):



China Marine Bronze SDNR Globe Valve Class 150 10K:



Test Standard: JIS F7400-1996

Test Pressure: Body-1.05Mpa, Seat-0.77Mpa

Main Material:

1-Body: Bronze (BC6)

2-Bonnet: Brass (C3771BD)

3-Disc: Brass (C3771BD)

4-Stem: Brass (C3771BD)

5-Handwheel: Cast Iron (FC200)

Main Size List(mm):

DN	d	L	D	C	No of Bolt	h	t	H	D2
15	15	60	95	70	4	12	8	75.5	50
20	20	70	100	75	4	15	9	82.5	65
25	25	80	125	90	4	19	10	88.5	65
32	32	100	135	100	4	19	11	109	80
40	40	100	140	105	4	19	12	121	80
50	50	120	155	120	4	19	13	142	100
65	65	140	175	140	4	19	13	154	125