

# Jinbo Marine

Marine &amp; Offshore Equipment Datasheet

PRODUCT DATASHEET

## JIS MARINE ANGLE VALVE

# Marine Bronze Screw Down Check Angle Valve JIS F7352 5K

ISO9001 Supplier

Class Certificate

Export Supply

Design Standard: JIS F7352-1996 Test Standard: JIS F7400-1996 Test Pressure: Body-1.05Mpa, Seat-0.77Mpa Flange Size as per JIS B2220-5K \*DN15-DN40 with screwed bonnet, DN50-DN65 with bolted bonnet...



### Key Highlights

Category	JIS Marine Angle Valve
Standard	JIS
Material	Bronze, Brass
Weight / Size	Body-1.05Mpa, Seat-0.77Mpa Flange Size as per JIS B2220-5K *DN15-DN40 wi...
Certificate	CCS,BV,GL,NK,RINA,ABS,DN V,LR

We can supply according to your requirement, drawings, class certificate needs, and delivery schedule.

### Technical Specifications

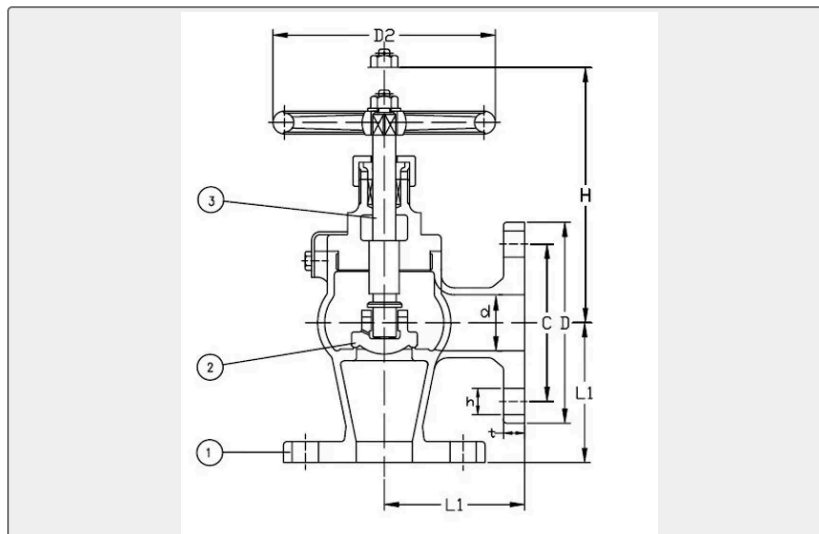
Category	JIS Marine Angle Valve	Model / SKU	Marine-Bronze-Screw-Down-Check-Angle-Valve-JIS-F7352-5K
Standard	JIS	Material	Bronze, Brass
Weight / Size	Body-1.05Mpa, Seat-0.77Mpa Flange Size as per JIS B2220-5K *DN15-DN40 with screwed bonnet, DN50-DN65 with bolted bonnet *Marine Screw Down Check Angle Valve also can be called as Angle SDNR Valve or Angle SDNR Globe Valve.	Certificate	CCS,BV,GL,NK,RINA,ABS,DNV,L R
Warranty	12 Months unless specified otherwise	Origin	China



**CONTENTS**

- China Marine Bronze Screw Down Check Angle Valve JIS F7352 5K:
- Main Material:
- Main Size List(mm):

## China Marine Bronze Screw Down Check Angle Valve JIS F7352 5K:



Design Standard: JIS F7352-1996

Test Standard: JIS F7400-1996

Test Pressure: Body-1.05Mpa, Seat-0.77Mpa

Flange Size as per JIS B2220-5K

\*DN15-DN40 with screwed bonnet, DN50-DN65 with bolted bonnet

\*Marine Screw Down Check Angle Valve also can be called as Angle SDNR Valve or Angle SDNR Globe Valve.

### Main Material:

1-Body: Bronze (BC6) /Brass

2-Disc: Bronze (BC6) /Brass

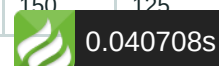
3-Stem: Brass (C3771BD)

4-Bonnet: Bronze (BC6) / Brass

5-Handwheel: Cast Iron (FC200)

### Main Size List(mm):

IMPA Code	Size	L1	D	C	No of Bolt Hole	h	t	H	D2
751061	15	55	80	60	4	12	9	120	80
751062	20	60	85	65	4	12	10	130	100
751063	25	65	95	75	4	12	10	145	125
751064	32	80	115	90	4	15	12	150	125



751065	40	85	120	95	4	15	12	165	140
751066	50	100	130	105	4	15	14	200	140
751067	65	115	155	130	4	15	14	220	160