

Jinbo Marine

Marine & Offshore Equipment Datasheet

PRODUCT DATASHEET

JIS MARINE ANGLE VALVE

Marine Bronze Screw Down Check Angle Valve JIS F7410 16K

ISO9001 Supplier

Class Certificate

Export Supply

Design Standard: JIS F7410-1996 Test Standard: JIS 7400-1996 Hydraulic Test Pressure:
 Body- 3.3Mpa, Seat-2.42Mpa~0.4Mpa Flange size as per JIS B2220 - 16K Main Material: 1-
 Body: Bron...

Loading product image...

Key Highlights

Category	JIS Marine Angle Valve
Standard	JIS
Material	Bronze, Brass
Weight / Size	Body- 3.3Mpa, Seat- 2.42Mpa~0.4Mpa Flange size as per JIS B2220 - 16K Mai...
Certificate	CCS,BV,GL,NK,RINA,ABS,DN V,LR

We can supply according to your requirement, drawings, class certificate needs, and delivery schedule.

Technical Specifications

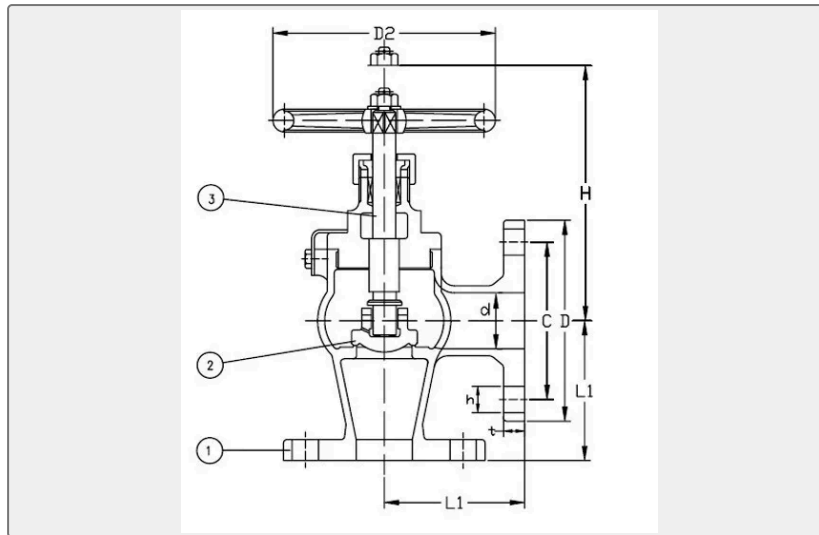
Category	JIS Marine Angle Valve	Model / SKU	Marine-Bronze-Screw-Down-Check-Angle-Valve-JIS-F7410-16K
Standard	JIS	Material	Bronze, Brass
Weight / Size	Body- 3.3Mpa, Seat- 2.42Mpa~0.4Mpa Flange size as per JIS B2220 - 16K Main Material:	Certificate	CCS,BV,GL,NK,RINA,ABS,DNV,LR
Warranty	12 Months unless specified otherwise	Origin	China

CONTENTS

- China Marine Bronze Screw Down Check Angle Valve JIS F7410 16K:
- Main Material:
- Main Size List(mm):

 0.041652s

China Marine Bronze Screw Down Check Angle Valve JIS F7410 16K:



Design Standard: JIS F7410-1996

Test Standard: JIS 7400-1996

Hydraulic Test Pressure: Body- 3.3Mpa, Seat-2.42Mpa~0.4Mpa

Flange size as per JIS B2220 - 16K

Main Material:

- 1- Body: Bronze (BC6) /Brass
- 2- Disc: Bronze (BC6) /Brass
- 3- Stem: Brass (C3771BD)
- 4- Bonnet: Bronze (BC6) /Brass

Main Size List(mm):

IMPA CODE	Size	L	D	C	No. of Bolt	h	t	H	D2
751081	15	70	95	70	4	15	12	120	80
751082	20	75	100	75	4	15	14	125	100
751083	25	85	125	90	4	15	14	140	125
751084	32	95	135	100	4	15	16	145	125
751085	40	100	140	105	4	19	16	160	140