

# Jinbo Marine

Marine &amp; Offshore Equipment Datasheet

PRODUCT DATASHEET

## JIS MARINE GLOBE VALVE

# Marine Bronze Screw Down Check Globe Valve JIS F7351 5K

ISO9001 Supplier

Class Certificate

Export Supply

Design Standard: JIS F7351-1996 Test Standard: JIS F7400-1996 Test Pressure: Body-1.05Mpa, Seat-0.77Mpa Flange Size as per JIS F2220-5K \*DN15-DN40 with screwed bonnet, DN50-DN65 with bolted bonnet...

Loading product image...

### Key Highlights

Category	JIS Marine Globe Valve
Standard	JIS
Material	Bronze
Weight / Size	Body-1.05Mpa, Seat-0.77Mpa Flange Size as per JIS F2220-5K *DN15-DN40 wi...
Certificate	CCS,DNV,GL, LR, ABS, BV, NK,KR,RINA

We can supply according to your requirement, drawings, class certificate needs, and delivery schedule.

### Technical Specifications

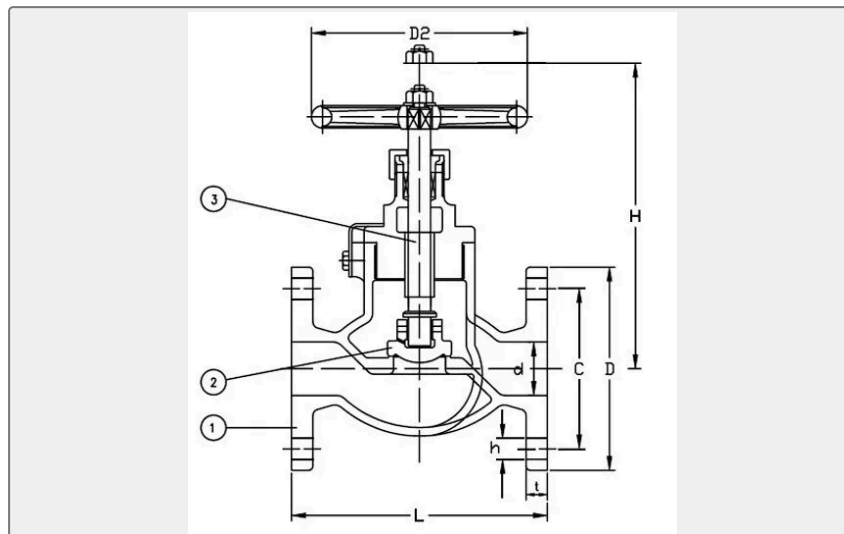
Category	JIS Marine Globe Valve	Model / SKU	Marine-Bronze-Screw-Down-Check-Globe-Valve-JIS-F7351-5K
Standard	JIS	Material	Bronze
Weight / Size	Body-1.05Mpa, Seat-0.77Mpa Flange Size as per JIS F2220-5K *DN15-DN40 with screwed bonnet, DN50-DN65 with bolted bonnet *Marine Bronze Screw Down Check Globe Valve also can be called as marine bronze SDNR Globe valve or SDNR valve, globe check valve, stop check valve.	Certificate	CCS,DNV,GL, LR, ABS, BV, NK,KR,RINA
Warranty	12 Months unless specified otherwise	Origin	China



**CONTENTS**

- China Marine Bronze Screw Down Check Globe Valve JIS F7351 5K:
- Main Material:
- Main Size List(mm):

## China Marine Bronze Screw Down Check Globe Valve JIS F7351 5K:



Design Standard: JIS F7351-1996

Test Standard: JIS F7400-1996

Test Pressure: Body-1.05Mpa, Seat-0.77Mpa

Flange Size as per JIS F2220-5K

\*DN15-DN40 with screwed bonnet, DN50-DN65 with bolted bonnet

\*Marine Bronze Screw Down Check Globe Valve also can be called as marine bronze SDNR Globe valve or SDNR valve, globe check valve, stop check valve.

### Main Material:

1-Body: Bronze (BC6)

2-Disc: Bronze (BC6)

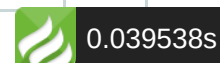
3-Stem: Brass (C3771BD)

4-Bonnet: Bronze (BC6)

5-Handwheel: Cast Iron (FC200)

### Main Size List(mm):

IMPA Code	Size	Face to Face (L)	Flange diam. (D)	Pitch (C)	No of Bolt Hole	h	t	H	D2
751051	15	100	80	60	4	12	9	130	80
751052	20	110	85	65	4	12	10	140	100
751053	25	120	95	75	4	12	10	160	125



751054	32	140	115	90	4	15	12	170	125
751055	40	160	120	95	4	15	12	190	140
751056	50	210	130	105	4	15	14	235	140
751057	65	250	155	130	4	15	14	260	160