

JIS MARINE GLOBE VALVE

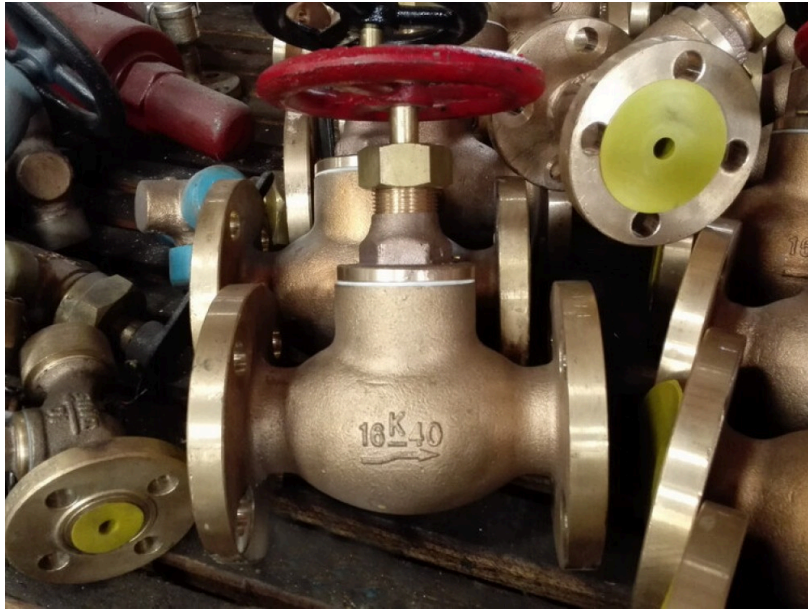
Marine Bronze Screw Down Check Globe Valve JIS F7409 16K

ISO9001 Supplier

Class Certificate

Export Supply

Marine Screw Down Check Globe Valve is also called as marine SDNR Valve, marine stop check valve, marine globe non return valve, marine globe check valve..etc. Function: open/close the pipe system and prevent the ...



Key Highlights

Category	JIS Marine Globe Valve
Standard	JIS
Material	Cast Iron
Weight / Size	Body-3.3Mpa, Seat-2.42Mpa Flange Size as per JIS B2220-16K Main Material...
Certificate	CCS, BV, ABS, GL, LR, DNV, NK, RINA

We can supply according to your requirement, drawings, class certificate needs, and delivery schedule.

Technical Specifications

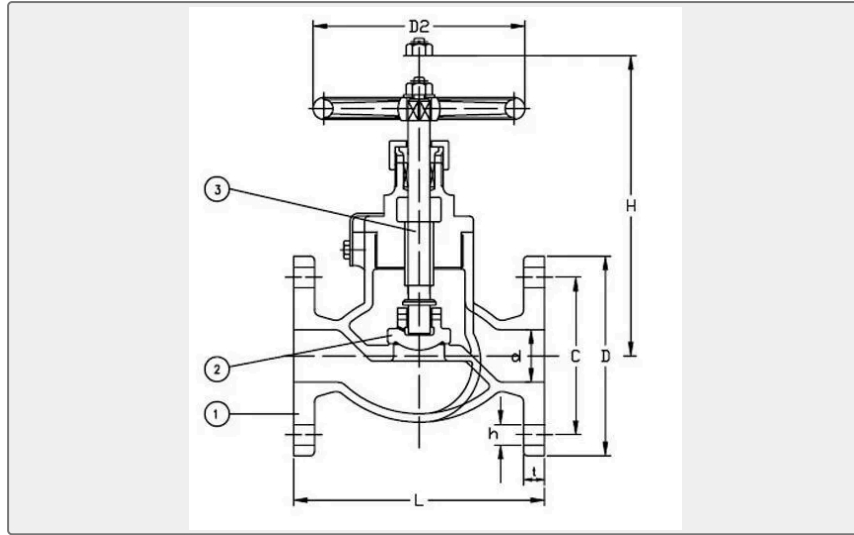
Category	JIS Marine Globe Valve	Model / SKU	Marine-Bronze-Screw-Down-Check-Globe-Valve-JIS-F7409-16K
Standard	JIS	Material	Cast Iron
Weight / Size	Body-3.3Mpa, Seat-2.42Mpa Flange Size as per JIS B2220-16K Main Material:	Certificate	CCS, BV, ABS, GL, LR, DNV, NK, RINA
Warranty	12 Months unless specified otherwise	Origin	China

CONTENTS

- China Marine Bronze Screw Down Check Globe Valve JIS F7409 16K:
- Main Material:
- Main Size List(mm):



China Marine Bronze Screw Down Check Globe Valve JIS F7409 16K:



Marine Screw Down Check Globe Valve is also called as marine SDNR Valve, marine stop check valve, marine globe non return valve, marine globe check valve..etc.

Function: open/close the pipe system and prevent the medium flowback.

Design Standard: JIS F7409-1996

Test Standard: JIS F7400-1996

Test Pressure: Body-3.3Mpa, Seat-2.42Mpa

Flange Size as per JIS B2220-16K

Main Material:

1-Body: Bronze (BC6) / Brass

2-Disc: Bronze (BC6) / Brass

3-Stem: Brass (C3771BD)

4-Bonnet: Bronze (BC6) / Brass

5-Handwheel: Cast Iron (FC200)

Main Size List(mm):

IMPA Code	Size	L	D	C	No of Bolt Hole	h	t	H	D2
751071	15	110	95	70	4	15	12	130	80
751072	20	120	100	75	4	15	14	140	100
751073	25	130	125	90	4	19	14	160	125
751074	32	160	135	100	4	19	16	170	125
751075	40	180	140	105	4	19	16	190	140