

# Jinbo Marine

Marine &amp; Offshore Equipment Datasheet

PRODUCT DATASHEET

## JIS MARINE SOUNDING ACCESSORIES

# Marine Bronze Self-Closing Gate Valve Head for Sounding Pipe JIS F3019

ISO9001 Supplier

Class Certificate

Export Supply

Design Standard: JIS F3019-1996 Test Standard: JIS 7400-1996 Hydraulic Test Pressure: Body-0.3Mpa, Seat-0.2Mpa Main Material: 1-Body: Bronze (BC6) 2-Bonnet:Bronze (BC6) 3-Disc: ...



### Key Highlights

Category	JIS Marine Sounding Accessories
Standard	JIS
Material	Bronze
Weight / Size	Cast Iron Main Size List(mm):
Certificate	CCS,BV,GL,NK,RINA,ABS,DN V,LR

We can supply according to your requirement, drawings, class certificate needs, and delivery schedule.

### Technical Specifications

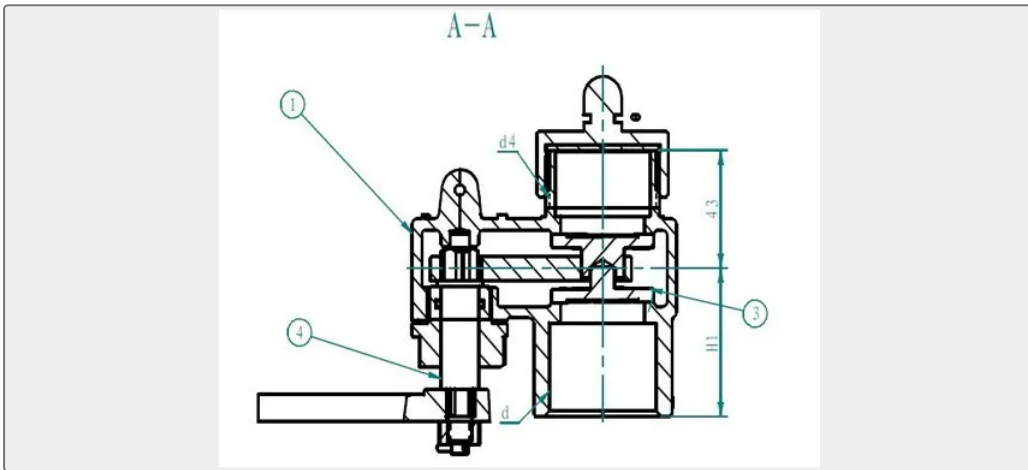
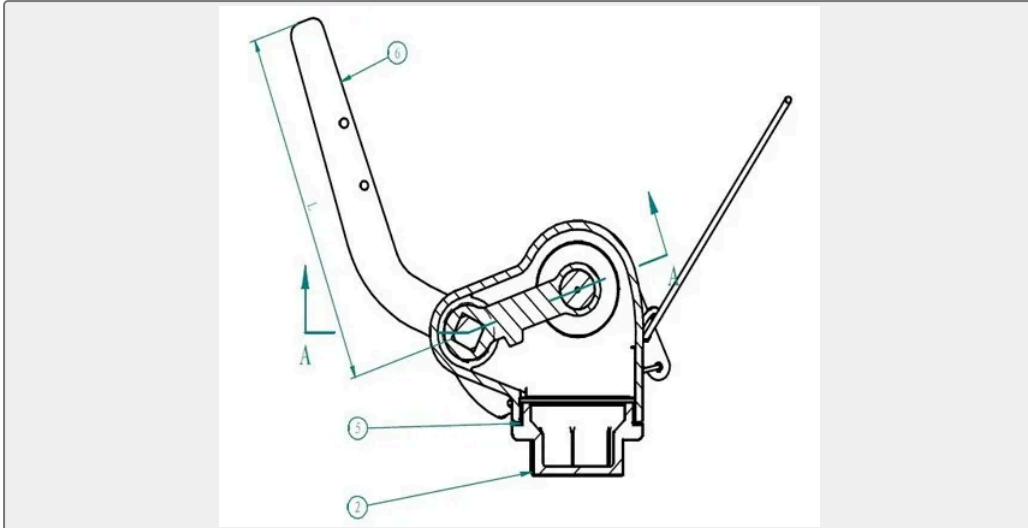
Category	JIS Marine Sounding Accessories	Model / SKU	Marine-Bronze-Self-Closing-Gate-Valve-Head-for-Sounding-Pipe-JIS-F3019
Standard	JIS	Material	Bronze
Weight / Size	Cast Iron Main Size List(mm):	Certificate	CCS,BV,GL,NK,RINA,ABS,DNV,LR
Warranty	12 Months unless specified otherwise	Origin	China

#### CONTENTS

- China Marine Bronze Self-Closing Gate Valve Head for Sounding Pipe JIS F3019:
- Main Material:

 0.043378s

# China Marine Bronze Self-Closing Gate Valve Head for Sounding Pipe JIS F3019:



Design Standard: JIS F3019-1996

Test Standard: JIS 7400-1996

Hydraulic Test Pressure: Body-0.3Mpa, Seat-0.2Mpa

## Main Material:

1-Body: Bronze (BC6)

2-Bonnet: Bronze (BC6)

3-Disc: Bronze (BC6)

4-Stem: Brass (C3771BD)

5-Gasket: NBR

6-Lever: Cast Iron

Main Size List(mm):

Size	d	d4	H1	L
40	G1-1/2	G1-1/2	54	1



50	G2	G2	60	160
----	----	----	----	-----

