

# Jinbo Marine

Marine &amp; Offshore Equipment Datasheet

PRODUCT DATASHEET

## GB MARINE SUCTION SEA VALVE

# Marine Bronze Suction Sea Valve GB/T2030-2008

ISO9001 Supplier

Class Certificate

Export Supply

Marine Suction Sea Valve is called marine sea suction valve, marine sea chest valve or marine kingston valve. It is the water inlet valve in the bottom or side of the boat, used to control the outboard water into the shi...



### Key Highlights

|               |   |
|---------------|---|
| Category      | GB Marine Suction Sea Valve   |
| Standard      | GB  |
| Material      | Bronze  |
| Weight / Size | GB600 Flange size as per GB569,GB2501 Nominal Pressure(Mpa) Nominal Diam... |
| Certificate   | CCS, BV, ABS, GL, LR, DNV, NK,RINA, KR,IRS                                  |

We can supply according to your requirement, drawings, class certificate needs, and delivery schedule.

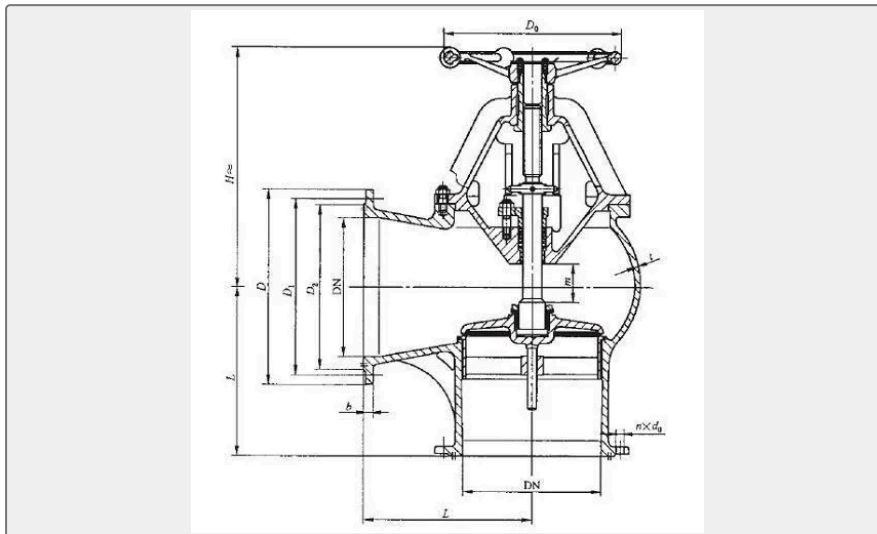
### Technical Specifications

|               |  |             |   |
|---------------|--|-------------|---|
| Category      | GB Marine Suction Sea Valve  | Model / SKU | Marine-Bronze-Suction-Sea-Valve-GB-T2030-2008 |
| Standard      | GB   | Material    | Bronze  |
| Weight / Size | GB600 Flange size as per GB569,GB2501 Nominal Pressure(Mpa) Nominal Diameter(mm) Applicable medium 0.4 80-400 sea water Main Material: | Certificate | CCS, BV, ABS, GL, LR, DNV, NK,RINA, KR,IRS    |
| Warranty      | 12 Months unless specified otherwise   | Origin      | China   |



|                 |  |                  |
|-----------------|--|------------------|
| <b>CONTENTS</b> | ■ China Marine Bronze Suction Sea Valve GB/T2030-2008: | ■ Main Material: |
|                 | ■ Main Size List(mm):                                  |                  |

## China Marine Bronze Suction Sea Valve GB/T2030-2008:



Marine Suction Sea Valve is called marine sea suction valve, marine sea chest valve or marine kingston valve. It is the water inlet valve in the bottom or side of the boat, used to control the outboard water into the ship for cleaning and cooling of the vessel.

Design Standard: GB/T2030-2008

Test Standard: GB600

Flange size as per GB569,GB2501

| Nominal Pressure(Mpa) | Nominal Diameter(mm) | Applicable medium |
|-----------------------|----------------------|-------------------|
| 0.4                   | 80-400               | sea water         |

### Main Material:

Body-Bronze

Bonnet-Bronze

Disc-Bronze

Stem-Bronze

Handwheel-Cast Steel

### Main Size List(mm):

Size for Type B

| DN (mm) | Structure Dimension |   | Flange |    |    |   |    | Bolt |     | Thickness t | handle D0 | lift range m | Weight(kgs) |
|---------|---------------------|---|--------|----|----|---|----|------|-----|-------------|-----------|--------------|-------------|
|         | L                   | H | D      | D1 | D2 | b | d0 | n    | Th. |             |           |              |             |



|     |     |     |     |     |     |    |    |    |     |    |     |     |       |
|-----|-----|-----|-----|-----|-----|----|----|----|-----|----|-----|-----|-------|
| 50  | 125 | 230 | 135 | 103 | 84  | 13 | 15 | 6  | M14 | 7  | 140 | 16  | 14.4  |
| 65  | 145 | 240 | 155 | 123 | 104 | 13 | 15 | 6  | M14 | 7  | 140 | 20  | 17.6  |
| 80  | 155 | 260 | 170 | 138 | 118 | 14 | 15 | 8  | M14 | 7  | 160 | 24  | 16.8  |
| 100 | 175 | 280 | 190 | 158 | 138 | 14 | 15 | 8  | M14 | 8  | 180 | 30  | 21.8  |
| 125 | 200 | 310 | 215 | 183 | 164 | 14 | 15 | 10 | M14 | 8  | 200 | 40  | 30.8  |
| 150 | 225 | 340 | 240 | 208 | 190 | 14 | 15 | 12 | M14 | 9  | 225 | 48  | 47.8  |
| 200 | 275 | 375 | 295 | 264 | 247 | 15 | 15 | 12 | M14 | 9  | 280 | 60  | 68.4  |
| 250 | 325 | 425 | 365 | 327 | 306 | 16 | 17 | 14 | M16 | 10 | 360 | 70  | 104.0 |
| 300 | 375 | 480 | 430 | 386 | 360 | 19 | 22 | 14 | M20 | 11 | 400 | 78  | 167.0 |
| 350 | 425 | 560 | 480 | 436 | 410 | 20 | 22 | 16 | M20 | 11 | 450 | 100 | 221.0 |
| 400 | 475 | 640 | 530 | 486 | 460 | 21 | 22 | 16 | M20 | 12 | 500 | 110 | 292.0 |

## Size for Type BS:

| DN (mm) | Structure Dimension |     | Flange |     |     |    |    | Bolt |     | Thickness t | handle D0 | lift range m | Weight(kgs) |
|---------|---------------------|-----|--------|-----|-----|----|----|------|-----|-------------|-----------|--------------|-------------|
|         | L                   | H   | D      | D1  | D2  | b  | d0 | n    | Th. |             |           |              |             |
| 50      | 125                 | 230 | 140    | 110 | 90  | 16 | 14 | 4    | M12 | 7           | 140       | 16           | 15.1        |
| 65      | 145                 | 240 | 160    | 130 | 110 | 16 | 14 | 4    | M12 | 7           | 140       | 20           | 17.6        |
| 80      | 155                 | 260 | 190    | 150 | 128 | 18 | 18 | 4    | M16 | 7           | 160       | 24           | 21.0        |
| 100     | 175                 | 280 | 210    | 170 | 148 | 18 | 18 | 4    | M16 | 8           | 180       | 30           | 25.7        |
| 125     | 200                 | 310 | 240    | 200 | 178 | 20 | 18 | 8    | M16 | 8           | 200       | 40           | 36.5        |
| 150     | 225                 | 340 | 265    | 225 | 202 | 20 | 18 | 8    | M16 | 9           | 225       | 48           | 59.8        |
| 200     | 275                 | 375 | 320    | 280 | 258 | 22 | 18 | 8    | M16 | 9           | 280       | 60           | 80.7        |
| 250     | 325                 | 425 | 375    | 335 | 312 | 24 | 18 | 12   | M16 | 10          | 360       | 70           | 121.0       |
| 300     | 375                 | 480 | 440    | 395 | 365 | 24 | 22 | 12   | M20 | 11          | 400       | 78           | 184.0       |
| 350     | 425                 | 560 | 490    | 445 | 415 | 24 | 22 | 12   | M20 | 11          | 450       | 100          | 247.0       |
| 400     | 475                 | 640 | 540    | 495 | 465 | 24 | 22 | 16   | M20 | 12          | 500       | 110          | 324.0       |
| 450     | 500                 | 720 | 595    | 550 | 520 | 24 | 22 | 16   | M20 | 12          | 550       | 150          | 467.2       |
| 500     | 525                 | 800 | 645    | 600 | 570 | 26 | 22 | 20   | M20 | 13          | 600       | 155          | 550.9       |