

# Jinbo Marine

Marine &amp; Offshore Equipment Datasheet

PRODUCT DATASHEET

## JIS MARINE CHECK VALVE

# Marine Bronze Swing Check Valve JIS F7371 5K(DN50-DN100)

ISO9001 Supplier

Class Certificate

Export Supply

Design Standard: JIS F7371-1996 Test Standard: JIS 7400-1996 Hydraulic Test Pressure: Body-1.05Mpa, Seat-0.77Mpa ~ 0.4Mpa Flange size as per JIS B2220 - 5K Main Material: 1.Body: Bronze...



### Key Highlights

Category	JIS Marine Check Valve
Standard	JIS
Material	Bronze/Brass
Weight / Size	Body-1.05Mpa, Seat-0.77Mpa ~ 0.4Mpa Flange size as per JIS B2220 - 5K Main...
Certificate	CCS,BV, NK,DNV,GL, LR, ABS, RINA

We can supply according to your requirement, drawings, class certificate needs, and delivery schedule.

### Technical Specifications

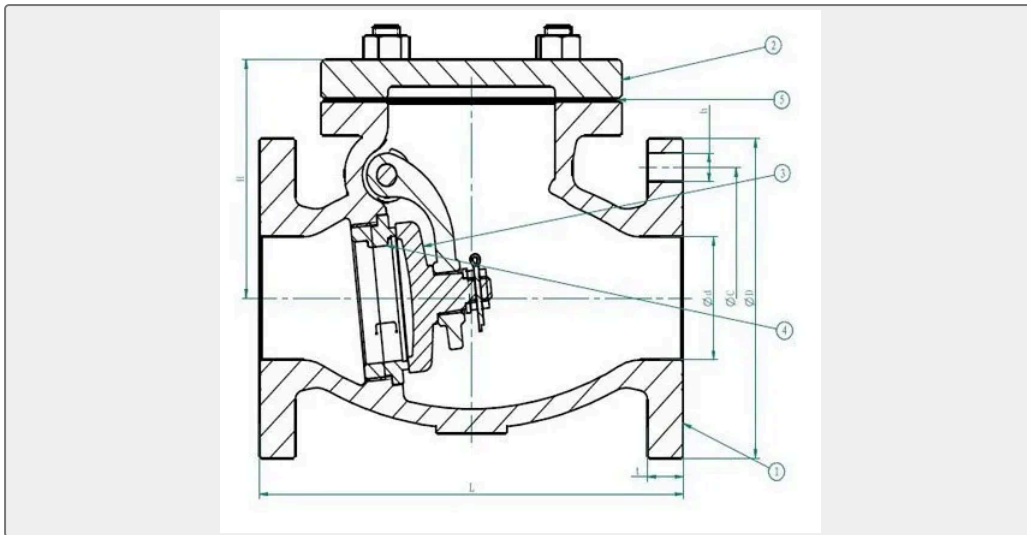
Category	JIS Marine Check Valve	Model / SKU	Marine-Bronze-Swing-Check-Valve-JIS-F7371-5K-DN50-DN100
Standard	JIS	Material	Bronze/Brass
Weight / Size	Body-1.05Mpa, Seat-0.77Mpa ~ 0.4Mpa Flange size as per JIS B2220 - 5K Main Material:	Certificate	CCS,BV, NK,DNV,GL, LR, ABS, RINA
Warranty	12 Months unless specified otherwise	Origin	China

#### CONTENTS

- China Marine Bronze Swing Check Valve JIS F7371 5K(DN50-DN100):
- Main Size List(mm):
- Main Material:


 0.036910s

## China Marine Bronze Swing Check Valve JIS F7371 5K(DN50-DN100):



Design Standard: JIS F7371-1996

Test Standard: JIS 7400-1996

Hydraulic Test Pressure: Body-1.05Mpa, Seat-0.77Mpa ~ 0.4Mpa

Flange size as per JIS B2220 - 5K

### Main Material:

- 1.Body: Bronze (BC6)
- 2.Bonnet: Bronze (BC6)
- 3.Disc: Bronze (BC6)
- 4.Seat: Bronze (BC6)
- 5.Gasket: non-asbestos

### Main Size List(mm):

DN	d	L	D	C	No.	h	t	H
50	50	190	130	105	4	15	16	97
65	65	220	155	130	4	15	18	119
80	80	250	180	145	4	19	18	129
100	100	280	200	165	8	19	20	146